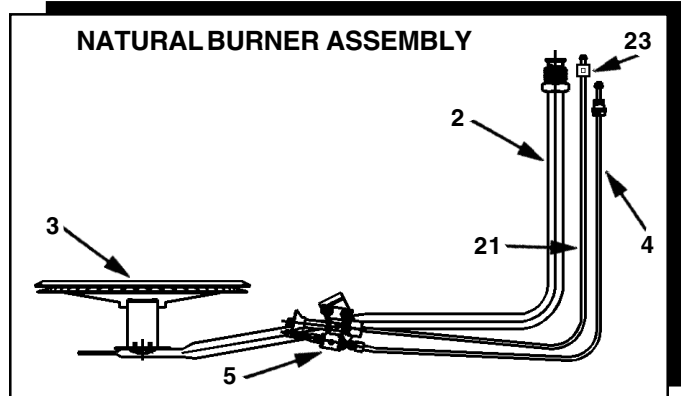
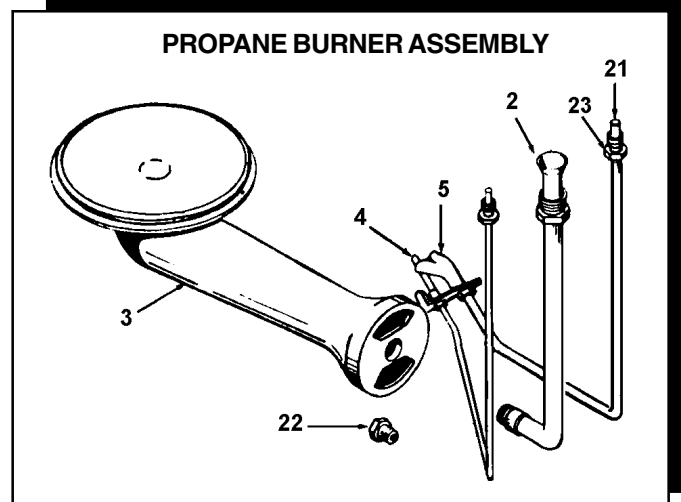
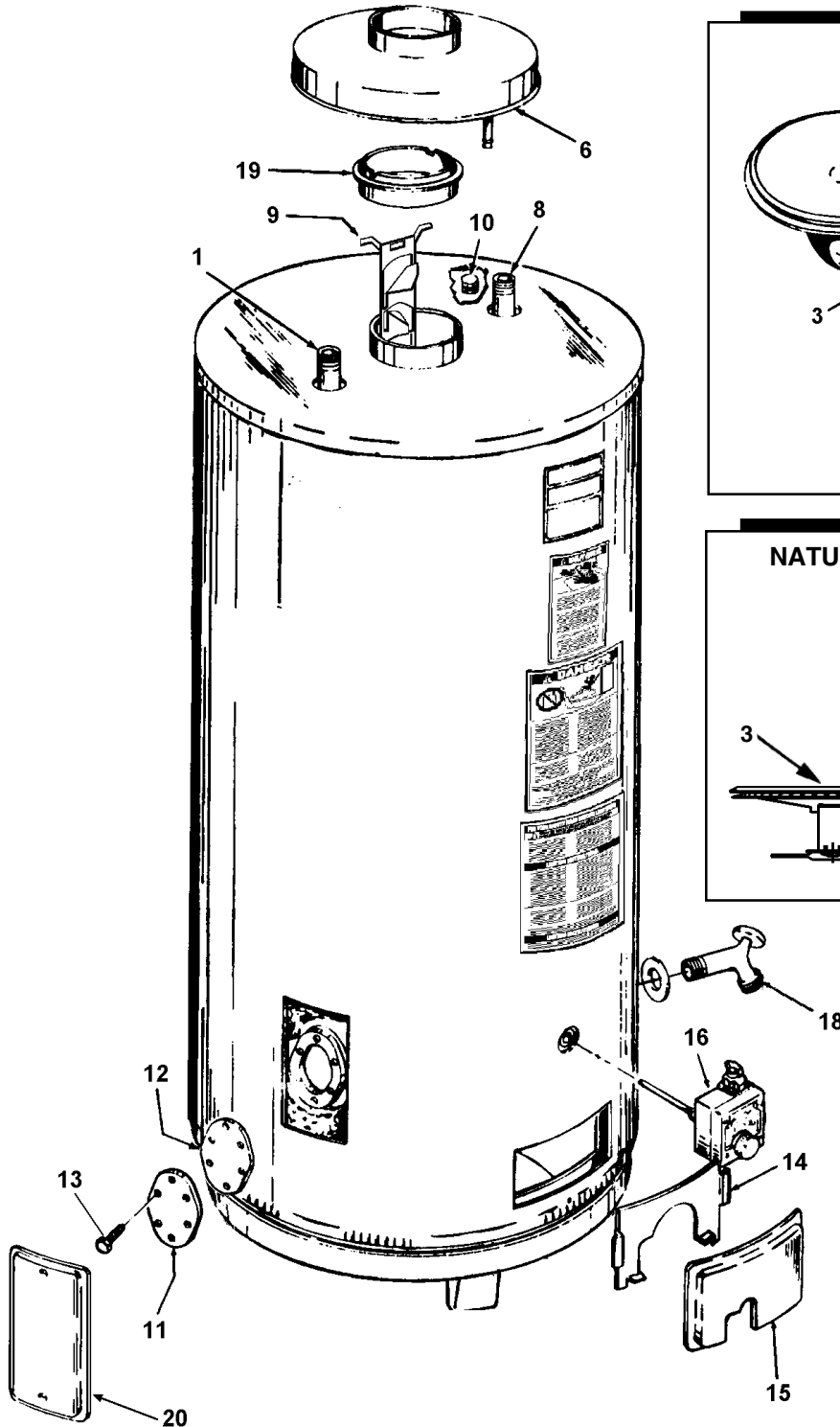


**COMMERCIAL WATER HEATERS**

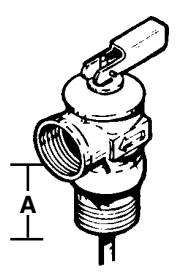
**REPLACEMENT PARTS LIST**

MODELS: SBS75 75 (NE, PE)

SBS100 75 (NE, PE)



**17**



**3/4" T&P RELIEF VALVE**  
AUTOMATIC, SELF-CLOSING TYPES

PART NUMBER	PRESS	A =	TEMP RELIEF
76527-3	150 LBS.	2 1/8"	210°

**STATE WATER HEATERS**

500 Lindahl Parkway, Ashland City, TN 37015

Phone: 800-821-2017 • Fax: 800-644-9306

www.statewaterheaters.com

Item	Qty.	Description	SBS75 75 (NE)	SBS75 75 (PE)	SBS100 75 (NE)	SBS100 75 (PE)
1	1	Pipe Nipple .....	194139	194139	194139	194139
2	1	Burner Tube .....	194561	181784	194561-1	181784
3	1	Burner .....	194549	41157-8	194549	41157-8
4	1	Thermocouple .....	194621	35489-2	194621	35489-2
5	1	Pilot .....	194550-2	160228-1	194550-2	160228-1
6	1	Draft Hood .....	39072	39072	39072	39072
* 7	3	Draft Hood Brace .....	194309	194309	194309	194309
8	1	Inlet Tube .....	194891	194891	194891-1	194891-1
9	4	Flue Baffle Assembly .....	194332	194332	194332	194332
10	1	Anode Rod .....	183463-39	183463-39	183463-48	183463-48
11	1	Cleanout Cover .....	99037	99037	99037	99037
12	1	Cleanout Gasket .....	99038	99038	99038	99038
13	1	Cleanout Screw .....	69852-1	69852-1	69852-1	69852-1
14	1	Inner Door .....	39923	39923	39923	39923
15	1	Outer Door .....	39112-1	39112-1	39112-1	39112-1
16	1	Thermostat .....	190015	191855	190015	191855
17	1	T & P Relief Valve .....	76527-3	76527-3	76527-3	76527-3
18	1	Drain Valve .....	26273-7	26273-7	26273-7	26273-7
19	1	Flue Reducer .....	35405	35405	35405	35405
20	1	Front Cover .....	181260	181260	181260	181260
21	1	Pilot Tube .....	194552	160190	194552	160190
22	1	Orifice .....	181508-21	181778-38	181508-19	181778-38
23	1	Fitting Breakaway .....	32365	32365	32365	32365
24	1	Manual .....	195313	195313	195313	195313

\* Not Illustrated



**STATE WATER HEATERS**

500 Lindahl Parkway, Ashland City, TN 37015

Phone: 800-821-2017 • Fax: 800-644-9306

[www.statewaterheaters.com](http://www.statewaterheaters.com)