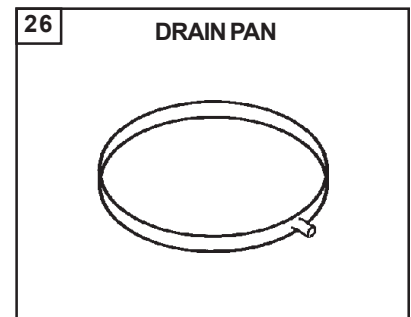
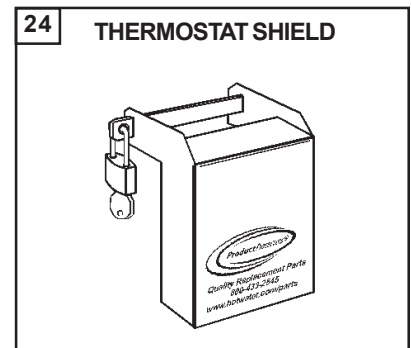
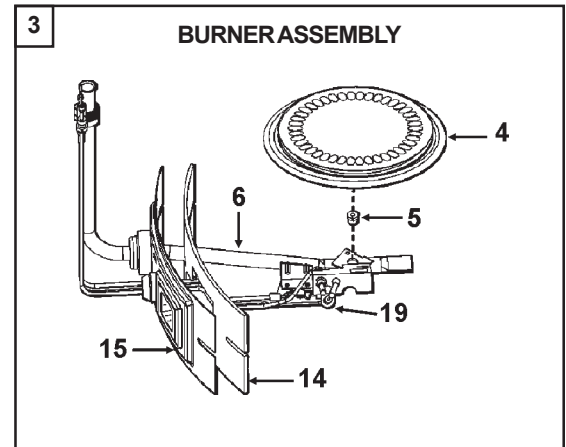
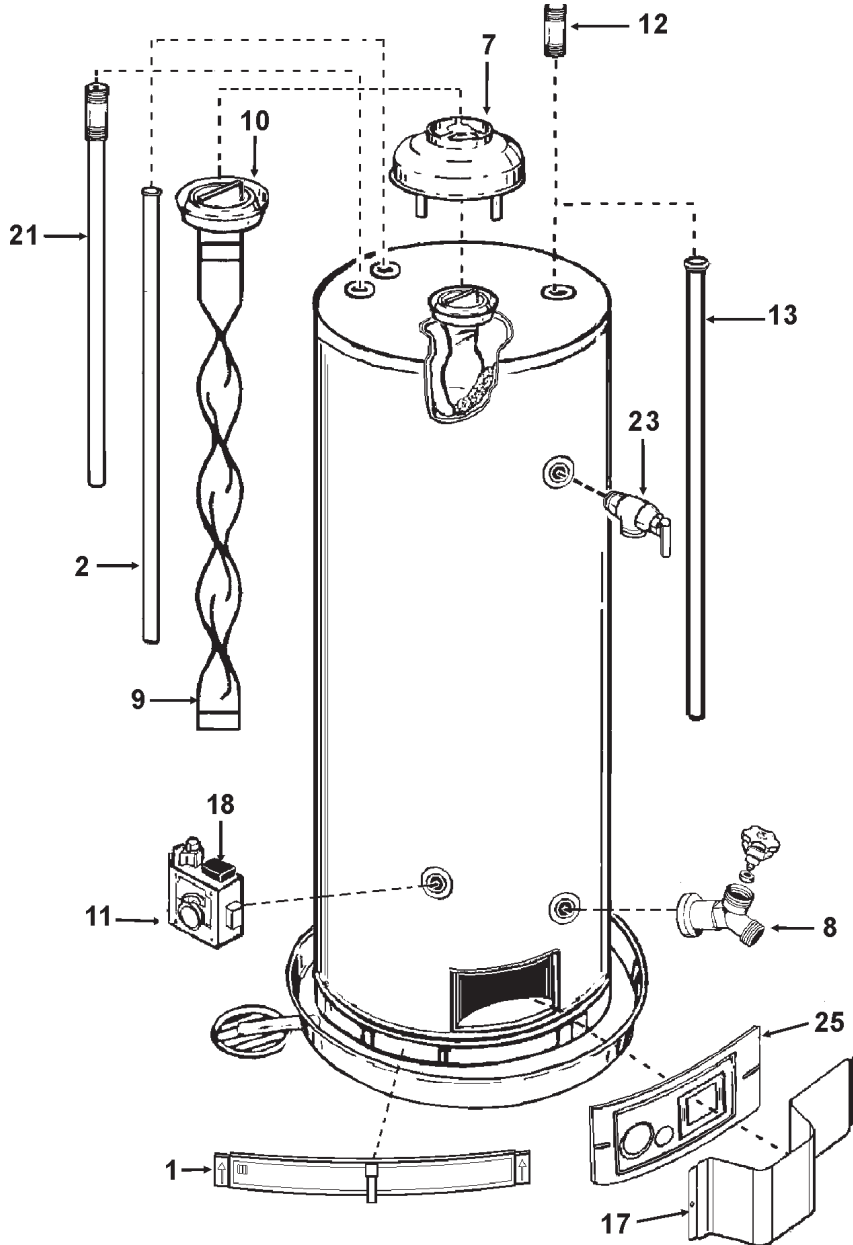


RESIDENTIAL WATER HEATER PARTS LIST
MODELS: GPX-40 HXRS/YXRS
GPX-40,50 HXRT/YXRT
PREMIER



Item	Description	GPX-40 YXRS/HXRS	GPX-40 YXRT/HXRT	GPX-50 YXRT/HXRT
1	Air Intake Screen	183159-000	183159-000	183159-000
2	Anode Rod	183523-036	183523-033	183523-042
3	Burner Assembly - Natural Gas - YXRS Only	183222-044	-----	-----
3	Burner Assembly - Propane Gas - HXRS Only	183222-045	-----	-----
3	Burner Assembly - Natural Gas - YXRT Only	-----	183222-040	183222-042
3	Burner Assembly - Propane Gas - HXRT Only	-----	183222-041	183222-043
4	Burner Head with Door Insulation	183504-000	183504-000	183504-000
5	Burner Orifice with Door Insulation - Natural Gas - YXRS Only	181508-033	-----	-----
5	Burner Orifice with Door Insulation - Propane Gas - HXRS Only	181791-052	-----	-----
5	Burner Orifice with Door Insulation - Natural Gas - YXRT Only	-----	181508-033	181508-033
5	Burner Orifice with Door Insulation - Propane Gas - HXRT Only	-----	181791-052	181791-052
6	Burner Tube w/Rubber Boot & Door Insulation - Natural Gas - YXRS Only	184104-001	-----	-----
6	Burner Tube w/Rubber Boot & Door Insulation - Propane Gas - HXRS Only	184105-001	-----	-----
6	Burner Tube w/Rubber Boot & Door Insulation - Natural Gas - YXRT Only	-----	184104-000	184104-001
6	Burner Tube w/Rubber Boot & Door Insulation - Propane Gas - HXRT Only	-----	184105-000	184105-001
7	Draft Hood	184003-000	184003-000	184003-000
8	Drain Valve - Brass	026273-007	026273-007	026273-007
9	Flue Baffle Assembly	184370-000	184015-013	184015-014
10	Flue Restrictor	010200560	035405-000	184240-000
11	Gas Control Valve - Natural Gas - YXRS Only	182791-005	-----	-----
11	Gas Control Valve - Propane Gas - HXRS Only	182792-001	-----	-----
11	Gas Control Valve - Natural Gas - YXRT Only	-----	182791-005	182791-005
11	Gas Control Valve - Propane Gas - HXRT Only	-----	182792-001	182792-001
12	Heat Trap Assembly	184792-003	184792-003	184792-003
13	Inlet Tube Assembly	183901-044	183901-044	183901-044
14	Inner Door Gasket	183162-000	183162-000	183162-000
15	Inner Door with Door Insulation	183425-000	183425-001	183425-000
16*	Instruction Manual	184165-002	184165-002	184165-002
17	Outer Door	183787-001	183787-001	183787-001
18	Piezo Igniter Assembly	183798-000	183798-000	183798-000
19	Pilot Assembly w/Grommet & Door Insulation - Natural Gas - YXRS Only	183824-150	-----	-----
19	Pilot Assembly w/Grommet & Door Insulation - Propane Gas - HXRS Only	183824-202	-----	-----
19	Pilot Assembly w/Grommet & Door Insulation - Natural Gas - YXRT Only	-----	183824-160	183824-160
19	Pilot Assembly w/Grommet & Door Insulation - Propane Gas - HXRT Only	-----	183824-202	183824-202
20*	Pipe Insulation	181639-003	181639-003	181639-003
21	Secondary Anode with Heat Trap (optional)	184634-114	184634-114	184634-114
22*	Temperature-Pressure Relief Valve Insulation	183256-000	183256-000	183256-000
23	Temperature-Pressure Relief Valve	043151-000	043151-000	043151-000
24	Thermostat Shield (Optional)	191259-001	191259-001	191259-001
25	Viewport Assembly	184470-000	184470-000	184470-000
26	20" Dia. Aluminum Drain Pan w/Side Drain (optional)	23912-A	23912-A	23912-A
26	22" Dia. Aluminum Drain Pan w/Side Drain (optional)	23913-A	23913-A	23913-A
26	28" Dia. Aluminum Drain Pan w/Side Drain (optional)	23914-A	23914-A	23914-A

* Not illustrated.



STATE WATER HEATERS
500 Lindahl Parkway, Ashland City, TN 37015
Phone: 800-821-2017 Fax: 800-644-9306
www.statewaterheaters.com