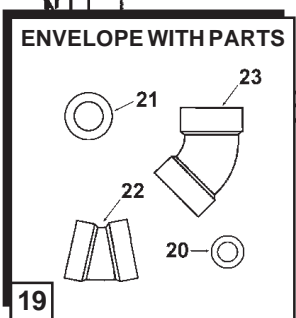
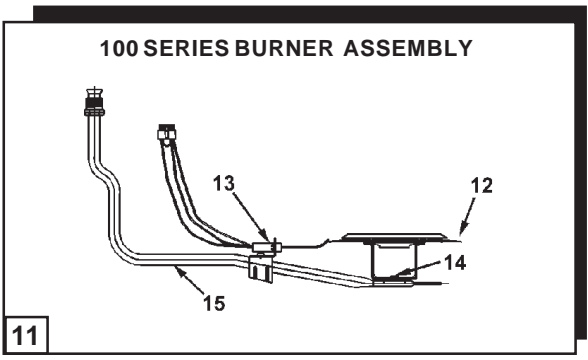
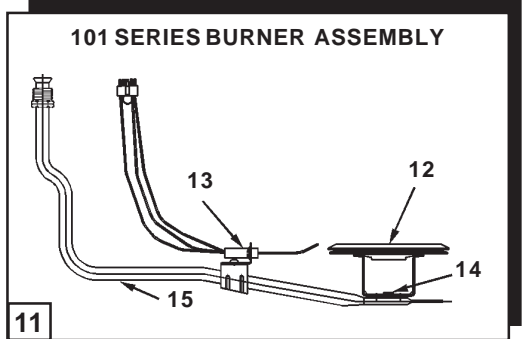
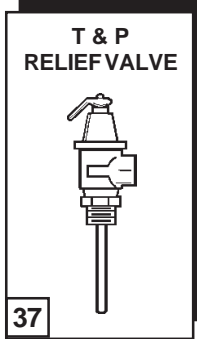
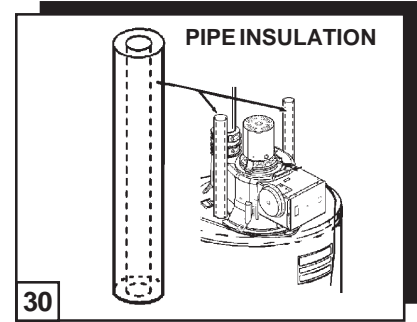
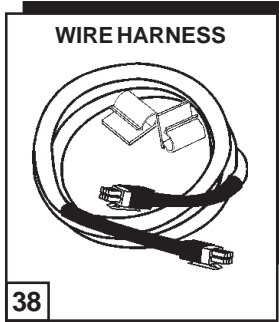
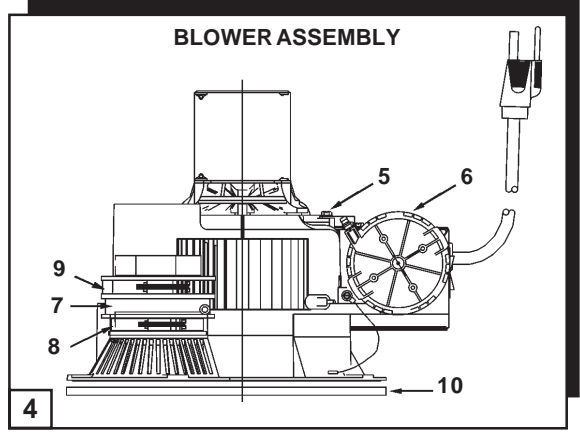
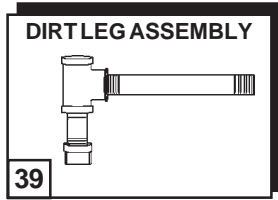
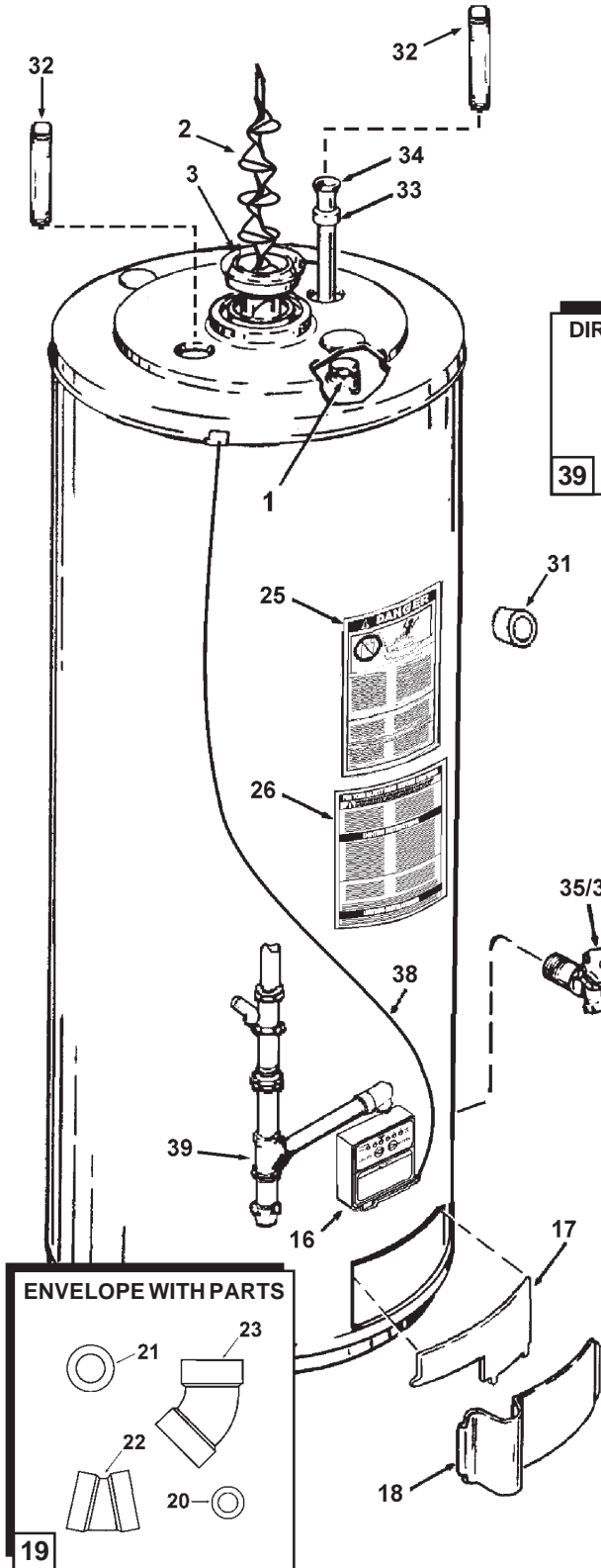


RESIDENTIAL WATER HEATER PARTS LIST
MODELS PR6 40/50 XCVIT, CCVIT 102/103
PR6 40/50 XCVIT 2, CCVIT 2



STATE WATER HEATERS
500 Lindahl Parkway
Ashland City, TN 37015
www.statewaterheaters.com

Item	Description	PR6 40 CCVIT 2 103	PR6 40 XCVIT 2 102	PR6 50 CCVIT 2 103
1	Anode, Aluminum Alloy	183523-26	183523-26	183523-29
2	Baffle, Flue	185111-000	185111-000	184974-000
3	Ring, Flue Restrictor	34894-1	34894-1	34894-1
4	Blower Assembly	183505-001	183505-001	183505-001
5	Limit Switch	183380-2	183380-2	183380-2
6	Pressure Switch	185135-001	185135-001	185135-001
7	Adapter, Exhaust	183508	183508	183508
8	Hose Clamp, 3 1/2"	183545	183545	183545
9	Hose Clamp, 4"	183545-1	183545-1	183545-1
10	Blower Assembly Gasket	185106-000	185106-000	185106-000
11	Burner Assembly, Natural Gas	- - - -	185126-004	- - - -
11	Burner Assembly, Propane Gas	185127-004	- - - -	185127-005
12	Burner, Main - Natural	- - - -	183504-000	- - - -
12	Burner, Main - Propane	183325	- - - -	183325
13	Igniter Assembly, Hot Surface	185148-000	185148-000	185148-000
14	Orifice, Main Burner - Natural	- - - -	181508-31	- - - -
14	Orifice, Main Burner - Propane	181791-048	- - - -	181791-048
15	Burner Tube Assembly - Natural	- - - -	184051-2	- - - -
15	Burner Tube Assembly - Propane	184049-2	- - - -	184049-3
16	Combination Gas Valve - Natural	- - - -	183760-2	- - - -
16	Combination Gas Valve - Propane	183760-3	- - - -	183760-3
17	Door, Inner	183491	183491	183491
18	Door, Outer	180522	180522	180522
19	Envelope with Parts	183509-003	183509-003	183509-003
20	Wall Plate, 2"	182787	182787	182787
21	Wall Plate, 3"	181557	181557	181557
22	Vent Terminal Assembly, 2"	183006-000	183006-000	183006-000
23	Vent Terminal, 3"	192815	192815	192815
*24	Label, Electrical Diagram	183765	183765	183765
25	Label, Flammable Vapor/Scald Warning	183301	183301	183301
26	Label, Lighting & Operating Instruction	183764	183764	183764
*27	Label, Relief Valve	180078	180078	180078
*28	Label, Temperature	182734	182734	182734
*29	Owner's Manual	185132-000	185132-000	185132-000
30	Pipe Insulation, 2'	181639-003	181639-003	181639-003
31	Insulation, T & P	183256-000	183256-000	183256-000
32	Heat Trap Nipples	184715-003	184715-003	184715-003
33	Spacer, Inlet Tube	184011-000	184011-000	184011-000
34	Tube, Inlet	184223-041	184223-041	184223-045
35	Valve, Drain - Brass	26273-6	26273-6	26273-6
36	Valve, Drain - Plastic	42037-3	42037-3	42037-3
37	Valve, T & P Relief	43151-2	43151-2	43151-2
38	Wire Harness	183506-1	183506-1	183506-1
39	Dirt Leg Assembly	181206-1	181206-1	181206-1

* Not illustrated.

PR6 50 XCVIT 2 102	PR6 40 CCVIT 103	PR6 40 XCVIT 102	PR6 50 CCVIT 103	PR6 50 XCVIT 102
183523-29	183523-26	183523-26	183523-29	183523-29
184974-000	185111-000	185111-000	184974-000	184974-000
34894-1	34894-1	34894-1	34894-1	34894-1
183505-001	183505-001	183505-001	183505-001	183505-001
183380-2	183380-2	183380-2	183380-2	183380-2
185135-001	185135-001	185135-001	185135-001	185135-001
183508	183508	183508	183508	183508
183545	183545	183545	183545	183545
183545-1	183545-1	183545-1	183545-1	183545-1
185106-000	185106-000	185106-000	185106-000	185106-000
185126-005	- - - -	185126-000	- - - -	185126-001
- - - -	185127-000	- - - -	185127-001	- - - -
183504-000	183504-000	183504-000	183504-000	183504-000
- - - -	183325	- - - -	183325	- - - -
185148-000	185148-000	185148-000	185148-000	185148-000
181508-31	- - - -	181508-31	- - - -	181508-31
- - - -	181791-048	- - - -	181791-048	- - - -
184051-3	- - - -	184051	- - - -	184051-1
- - - -	184049	- - - -	184049-1	- - - -
183760-2	- - - -	183760	- - - -	183760
- - - -	183760-1	- - - -	183760-1	- - - -
183491	183491	183491	183491	183491
180522	180522	180522	180522	180522
183509-003	183509-003	183509-003	183509-003	183509-003
182787	182787	182787	182787	182787
181557	181557	181557	181557	181557
183571	183571	183571	183571	183571
192815	192815	192815	192815	192815
183765	183765	183765	183765	183765
183301	183301	183301	183301	183301
183764	183764	183764	183764	183764
180078	180078	180078	180078	180078
182734	182734	182734	182734	182734
185132-000	185132-000	185132-000	185132-000	185132-000
181639-003	181639-003	181639-003	181639-003	181639-003
183256-000	183256-000	183256-000	183256-000	183256-000
184715-003	184715-003	184715-003	184715-003	184715-003
184011-000	184011-000	184011-000	184011-000	184011-000
184223-045	184223-041	184223-041	184223-045	184223-045
26273-8	26273-6	26273-6	26273-6	26273-4
42037	42037-3	42037-3	42037-3	42037-1
43151-2	76527-3	76527-3	76527-3	76527-3
183506-1	183506-1	183506-1	183506-1	183506-1
181206-1	181206-1	181206-1	181206-1	181206-1



STATE WATER HEATERS

500 Lindahl Parkway

Ashland City, TN 37015

www.statewaterheaters.com