

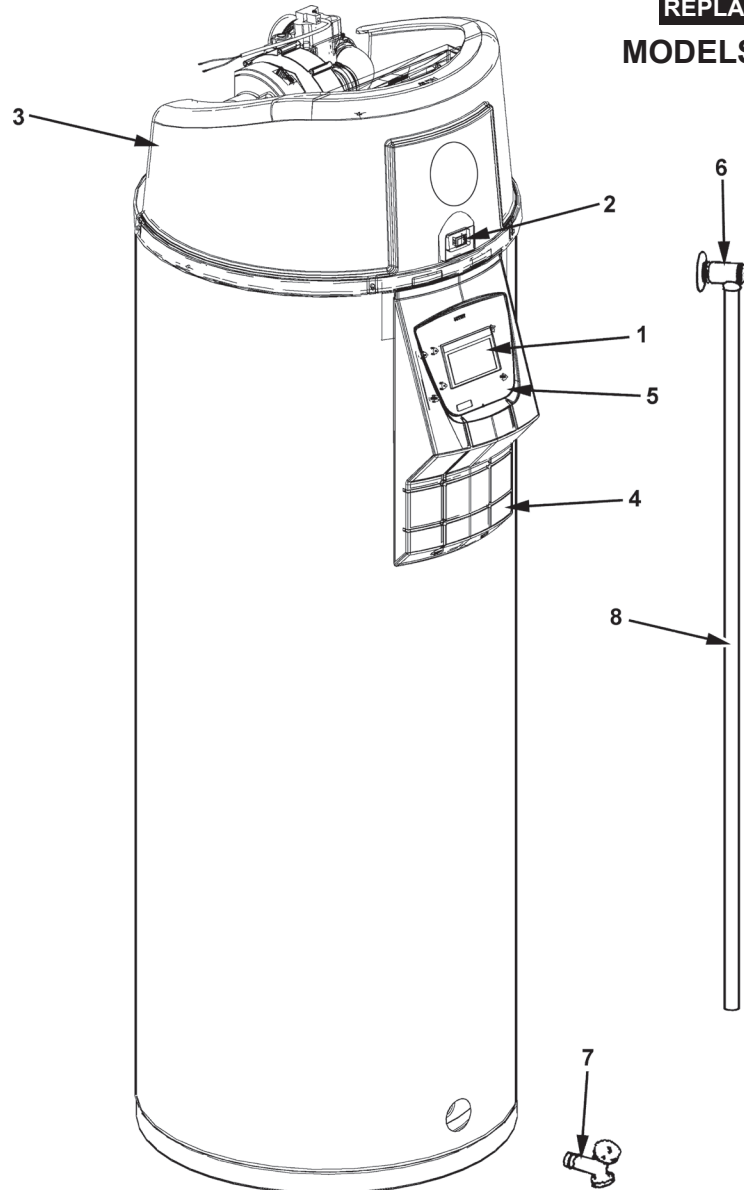
RESIDENTIAL WATER HEATERS

REPLACEMENT PARTS LIST

MODELS: GP650 YTPDT

GP650 HTPDT

SERIES 120/121

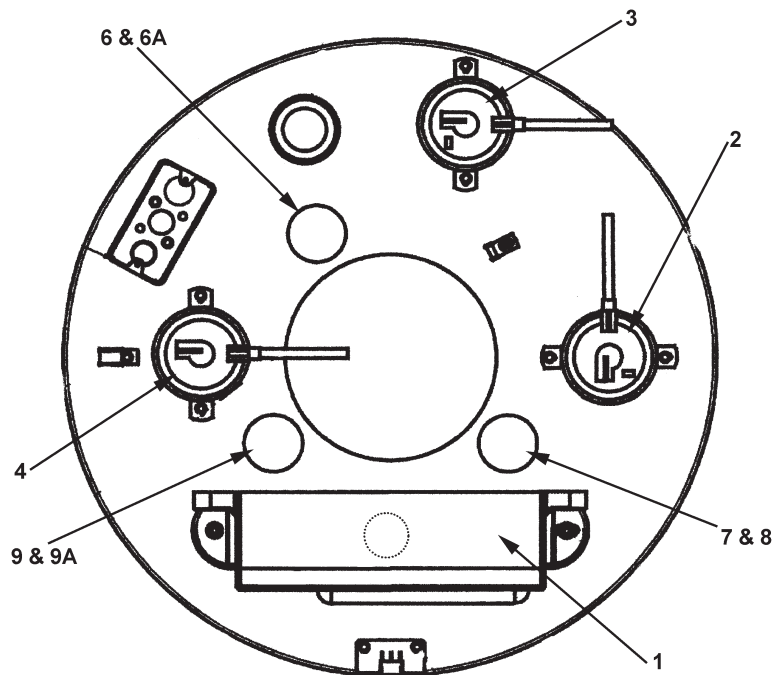


Item	Description	Kit Number
1	Display Circuit Board	9006240005
2	Power Switch	9005980205
3	Plastic Top	9005977205
4	Plastic Enclosure	9006413005
5	Display Overlay (Button Pad)	9006415005
6	T&P Valve	9000728015
7	Drain Valve	9003906015
8	T&P Outlet Tube (Canadian Models Only)	700340-004

TOP COVER CONTROL ASSEMBLY

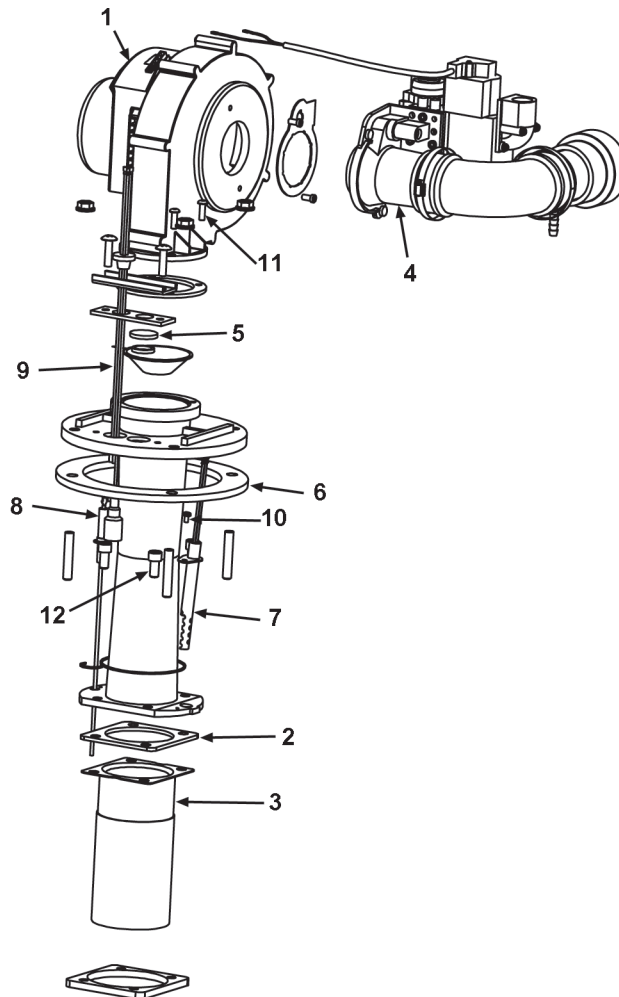
Item	Description	120 Series	121 Series
1	CCB (central control board) with enclosure	9007144005	9007145005
2	Blocked Exhaust Switch	9006282015	9006282015
3	Blocked Intake Air Switch	9005972215	9005972215
4	Blower Prover Switch	9006280015	9006280015
5*	Temperature Probe	9004238215	9004238215
6	Anode - Alum.	9003892005	9003892005
6A	Anode - Mag.	9001829005	9001829005
7	Inlet Tube	9006422005	9006422005
8	Inlet Nipple	9003936015	9003936015
9	Anode - Outlet Alum.	9006659005	9006659005
9A	Anode - Outlet Mag.	9004333005	9004333005

* Not Shown. Located under side front cover.
Standard hardware items may be purchased locally.



BLOWER/BURNER ASSEMBLY

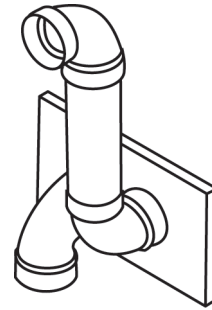
Item	Description	120 Series (Nat)	121 Series (LP)
1	Blower	9006423005	9006423005
2	Burner Gasket	9007437015	9007437015
3	Burner Assembly	9006970005	9006970005
4	Gas Valve/Venturi Assembly	9006425005	9006426005
5	Observation Window	9006102215	9006102215
6	Burner Adaptor Gasket	9007138005	9007138005
7	Igniter	9006968005	9006968005
8	Flame Sensor Rod	9007229005	9007229005
9	Wire Harness	9006969005	9006969005
10	Machine Screw (#6-32 x 0.25"L Pan Head)	-----	-----
11	Socket Button Head Cap Screw (#10-32 x 5/8"L Full Thread)	-----	-----
12	Socket Head Cap Screw (5/16-18 x 5/8"L)	-----	-----



Direct Vent Kit For Cold Climate

2" Direct Vent Kit, ULC S636 Compliant..... 318221-000

3" Direct Vent Kit, ULC S636 Compliant..... 318222-000



Exhaust Elbow Assembly

Standard Exhaust Elbow Assembly..... 9006428005

ULC S636 Compliant Exhaust Elbow Assembly..... 9006785005

