

TANKLESS RECESS BOXES

This easy-to-install recess box fits between standard wall studs to hide and protect your outdoor tankless water heater. Compatible with both natural gas and propane units.

RECESS BOXES FOR RETROFIT

PART NUMBER: 100266729

COMPATIBLE WITH THE FOLLOWING TANKLESS MODELS:

- GTS-110U-E
- GTS-310U-E
- GTS-510U-E
- GTS-140-NEH

PART NUMBER: 100298009

COMPATIBLE WITH THE FOLLOWING TANKLESS MODELS:

- GTS-240-NEH
- GTS-340-NEH
- GTS-540-NEH
- SCT-1990

FEATURES:

- Removable front cover for easy access
- Wide front door flange for easy flashing
- Allows for back, side or bottom entry for water and gas piping
- Will fit condensate neutralizer for the 140H model
- Comes with locking bracket to secure the front cover
- Powder coated steel construction
- Bracket, screws and instructions included in box

RECESS BOXES FOR NEW CONSTRUCTION

PART NUMBER: 100266730

COMPATIBLE WITH THE FOLLOWING TANKLESS MODELS:

- GTS-110U-E
- GTS-310U-E
- GTS-510U-E
- GTS-140-NEH

PART NUMBER: 100306285

COMPATIBLE WITH THE FOLLOWING TANKLESS MODELS:

- GTS-240-NEH
- GTS-340-NEH
- GTS-540-NEH
- SCT-1990

FEATURES:

- Designed with moisture flange for easier installation when framing the wall
- Removable front cover for easy access
- Wide front door flange for easy flashing
- Allows for back, side or bottom entry for water and gas piping
- Comes with locking bracket to secure the front cover
- Pre-drilled holes to secure the recess box to wall studs
- Powder coated steel construction
- Bracket, screws and instructions included in box

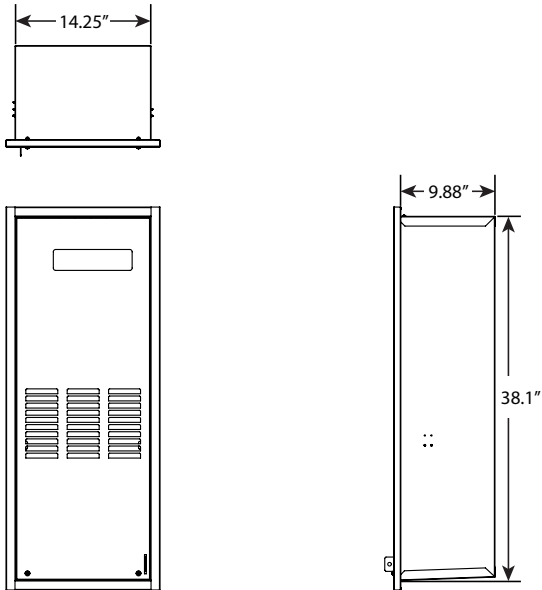


100266729

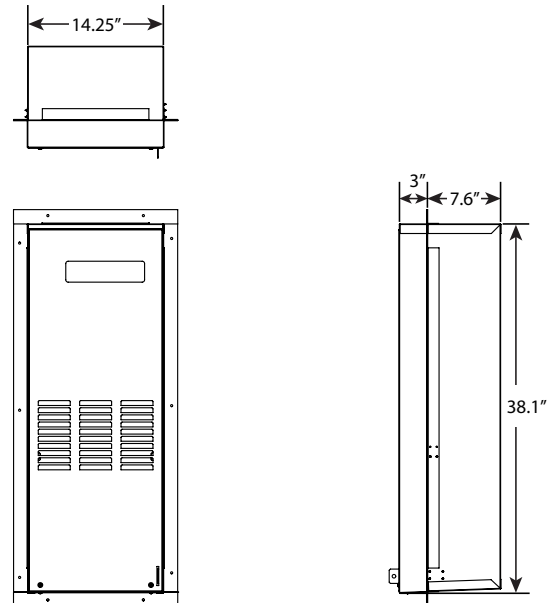


100298009

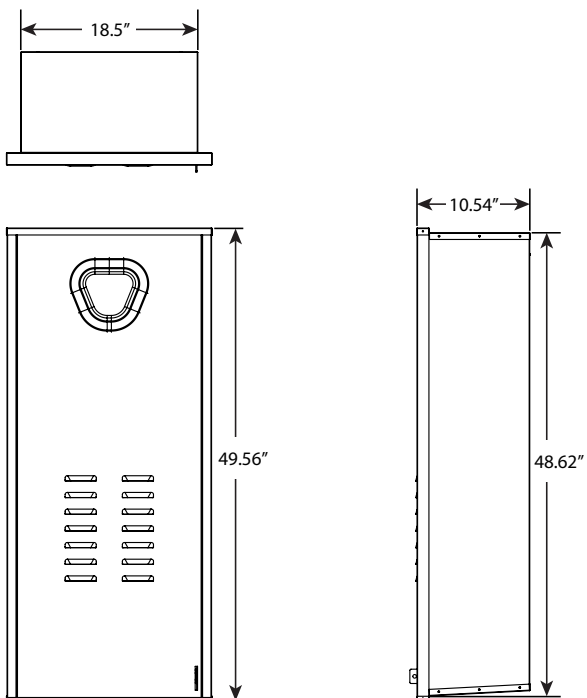
SOLID. STATE.



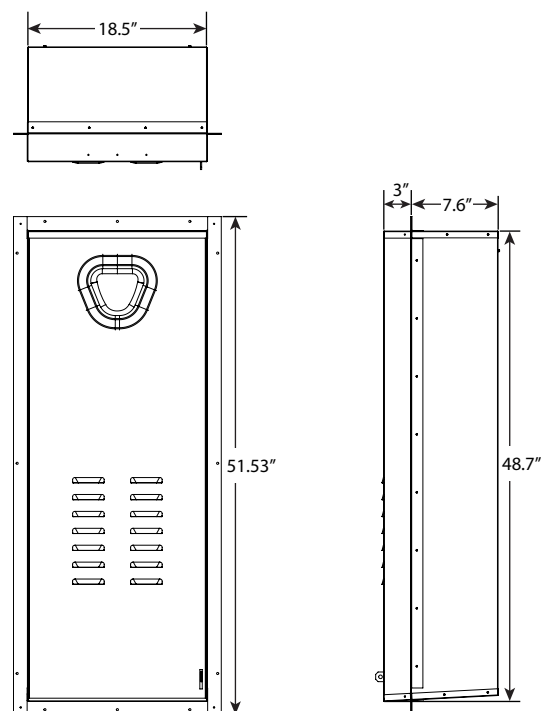
Recess Box for Retrofit: 100266729



Recess Box for New Construction: 100266730



Recess Box for Retrofit: 100298009



Recess Box for New Construction: 100306285

FOR MORE INFORMATION ON CALL 1-800-365-0024. STATE WATER HEATERS RESERVES THE RIGHT TO MAKE PRODUCT CHANGES OR IMPROVEMENTS WITHOUT PRIOR NOTICE.