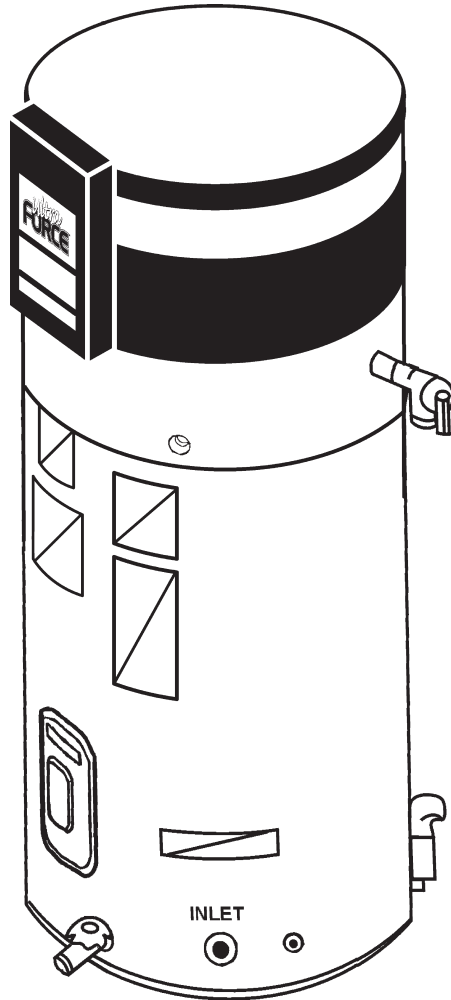
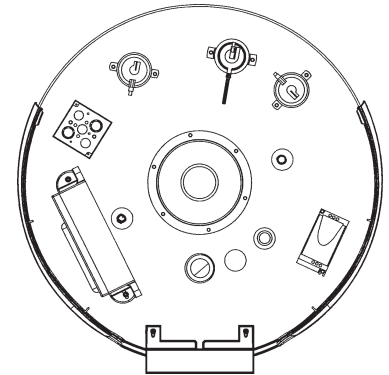


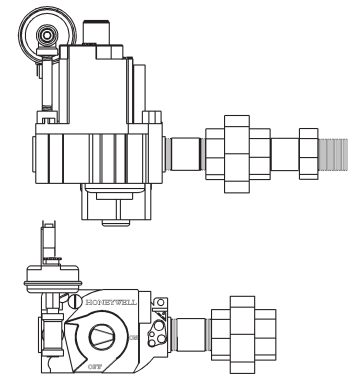
ULTRAFORCE - MODEL SUF 130-300/400/500
See Page 2



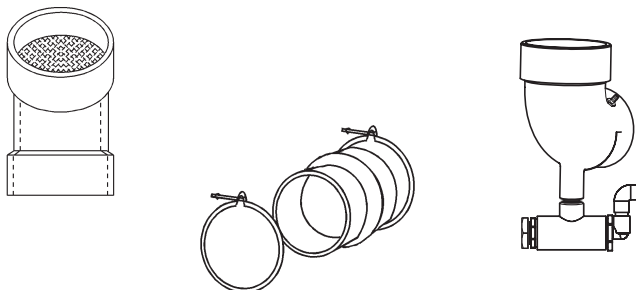
OPERATING CONTROL
See Page 3- 4



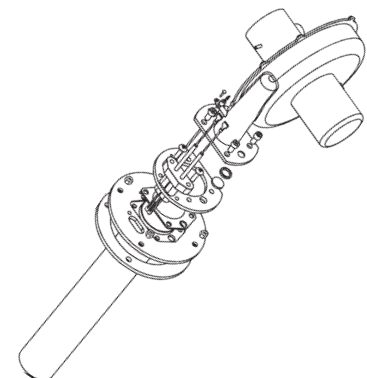
GAS VALVE
See Page 5



EXHAUST ELBOW, VENT KIT & BLOWER INTAKE PARTS
See Page 6



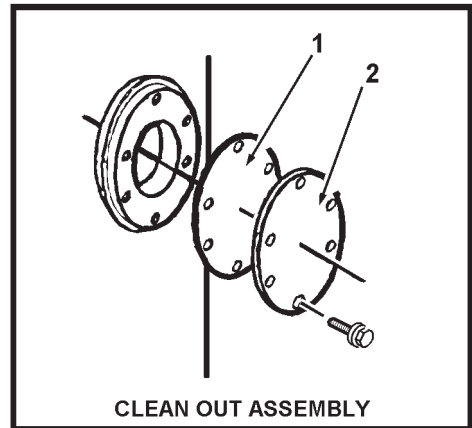
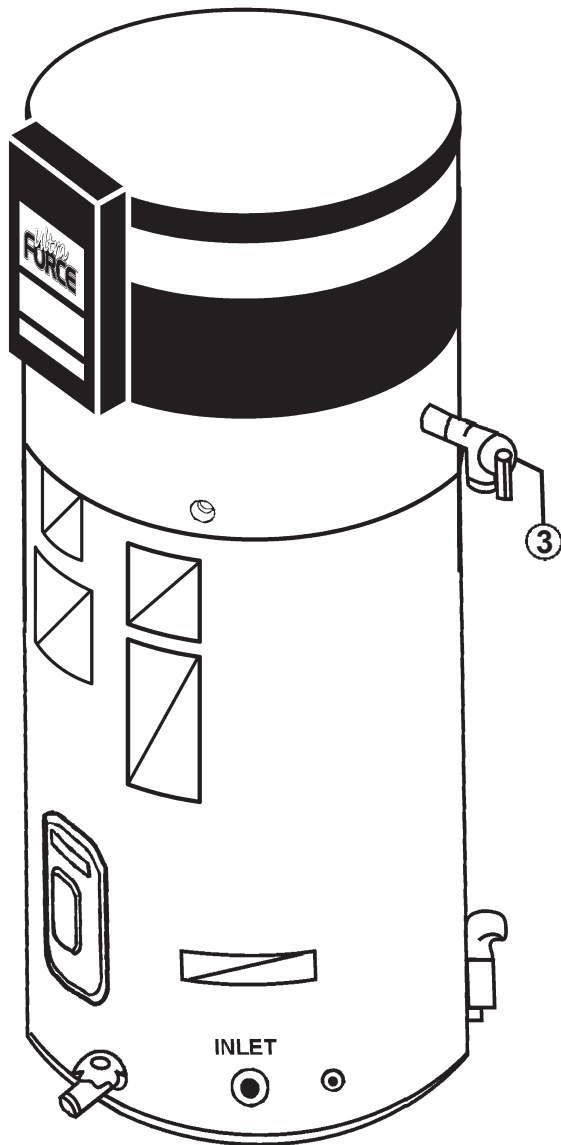
BLOWER/BURNER ASSEMBLY
See Page 5



ULTRA FORCE SUF-130-300/400/500- PARTS LIST

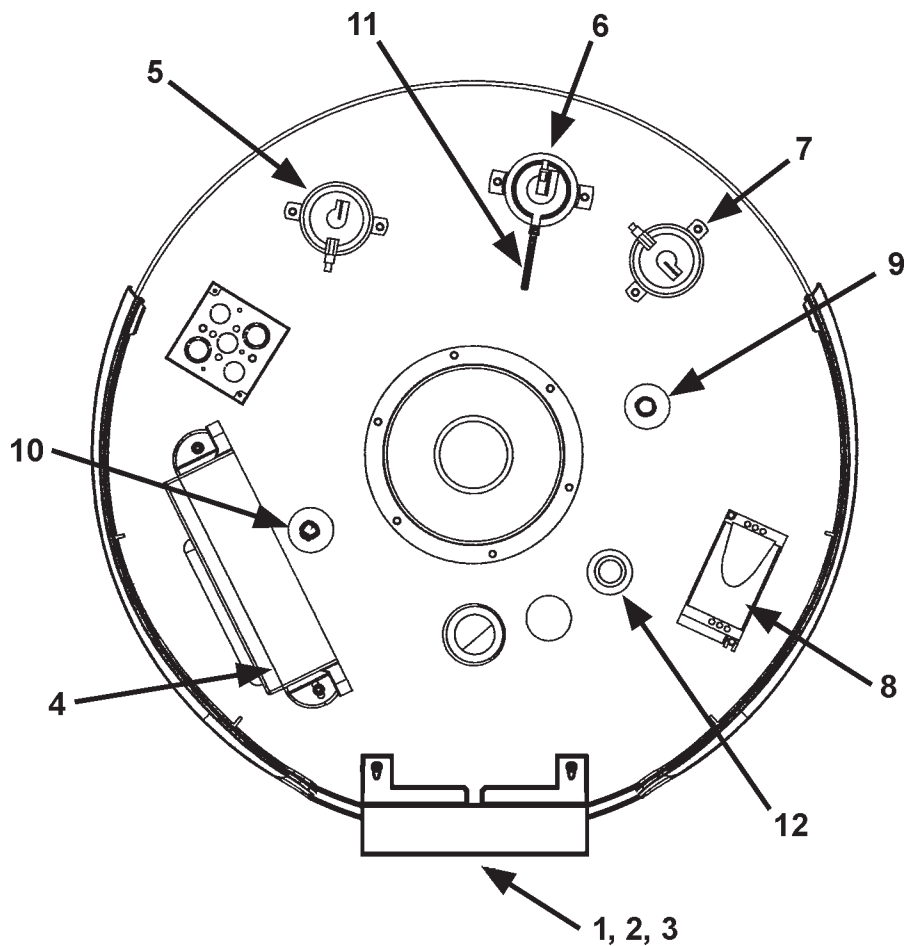
Item	Description	SUF 130-300 100/101	SUF 130-400 101/104	SUF 130-500 100/104
1	Cleanout Gasket.....	9004099015	9004099015	9004099015
2	Cover, Cleanout.....	9004098005	9004098005	9004098005
3	Temperature and Pressure Relief Valve	9005903205	9005903205	9005903205

Standard hardware items may be purchased locally.



SUF 130-300/400/500 - OPERATING CONTROL

Item	Description	SUF 130-300 100/101	SUF 130-400 101	SUF 130-400 104	SUF 130-500 101	SUF 130-500 104
1	Switch, On/Off	9005929215	9005929215	9005929215	9005929215	9005929215
2	Display Overlay	9006241005	9006241005	9006241005	9006241005	9006241005
3	Display Board	9006240005	9006240005	9006240005	9006240005	9006240005
4	Electronic Controller - Natural Gas	9006233005	-----	9008220005	-----	9007443005
4	Electronic Controller - LP	9006234005	9006236005	-----	9006820005	-----
5	Switch, Blocked Inlet	9006083215	9006006215	9006243015	9006243015	9006243015
6	Switch, Blower Prover	9004586215	9006002215	9004586215	9006244015	9004586215
7	Switch, Blocked Outlet	9006087215	9006088215	9006007215	9006007215	9006007215
8	VFD Assembly	-----	9006245005	9006245005	9006245005	9006245005
9	Powered Anode - Short	9006247005	9006247005	9006247005	9006247005	9006247005
10	Powered Anode - Long	9006246005	9006246005	9006246005	9006246005	9006246005
11	Tubing - 1/4" Silicone	9006249015	9006249015	9006249015	9006249015	9006249015
12	Probe, Upper	9004238215	9004238215	9004238215	9004238215	9004238215
13	Probe, Lower (not shown)	9006242015	9006242015	9006242015	9006242015	9006242015

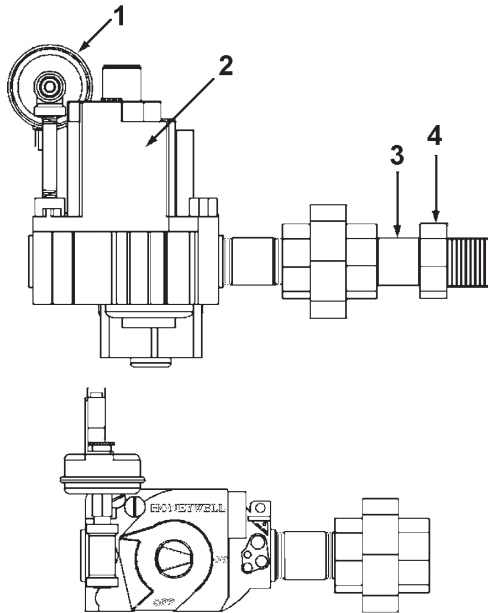


GAS VALVE

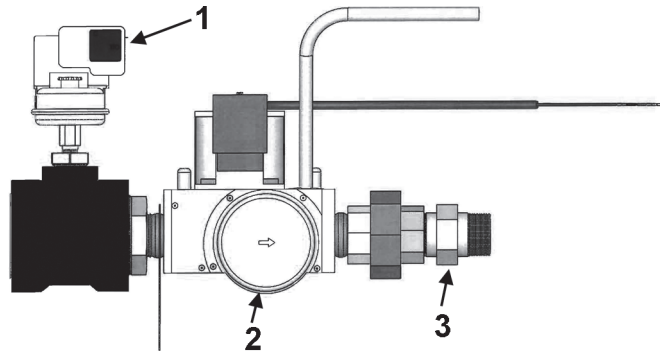
Item	Description	SUF 130-300 100/101	SUF 130-400 101	SUF 130-400 104	SUF 130-500 101	SUF 130-500 104
1	Switch, Low Gas Pressure	9006084215	-----	9006084215	-----	9006084215
	LP Gas	9004474215	9004474215	-----	9004474215	-----
2	Valve, Natural Gas	9006085205	-----	9007295005	-----	9007295005
	Valve, LP Gas	9006086205	9006086205	-----	9006086205	-----
3	Orifice, Natural Gas	9006090215	-----	N/A	-----	N/A
	Orifice, LP Gas	9006092215	9006093215	-----	9006251015	-----
4	Orifice holder	9006094215	9006094215	9006094215	9006094215	9006094215

Standard hardware items may be purchased locally.

FOR SUF 130-300 100/101, SUF 130-400 101, SUF 130-500 101



FOR SUF 130-400 104, SUF 130-500 104

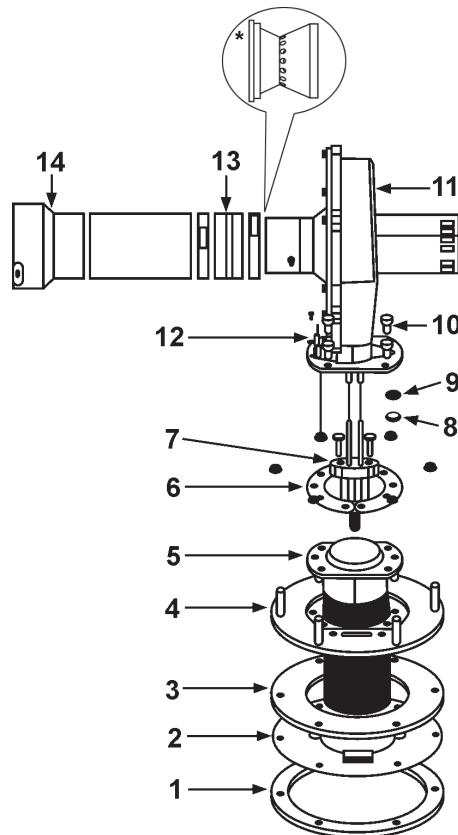


BLOWER/BURNER ASSEMBLY

Item	Description	SUF 130-300 100/101	SUF 130-400 101/104	SUF 130-500 101/104
1	Gasket - 8"	9006095205	9006095205	9006095205
2	Shield - Heat	9006096205	9006096205	9006096205
3	Gasket - Insulation	9006097205	9006097205	9006097205
4	Flange - Burner	9006098205	9006098205	9006098205
5	Burner Assembly	9006099205	9006099205	9006099205
6	Gasket - Burner	9006100205	9006100205	9006100205
7	Ignitor	9006101205	9006101205	9006101205
8	Window - Observation	9006102215	9006102215	9006102215
9	Gasket - Viewport	9006103215	9006103215	9006103215
10	Screw - Socket Head Cap	9006104215	9006104215	9006104215
11	Blower/Motor	9006105205	9006114205	9006114205
12	Sensor - Flame	9006106205	9006106205	9006106205
13	Coupling - Power Vent	9006107205	9006107205	9006107205
14	Blower Intake Reducer Assembly	9006108205	9006108205	9006821005

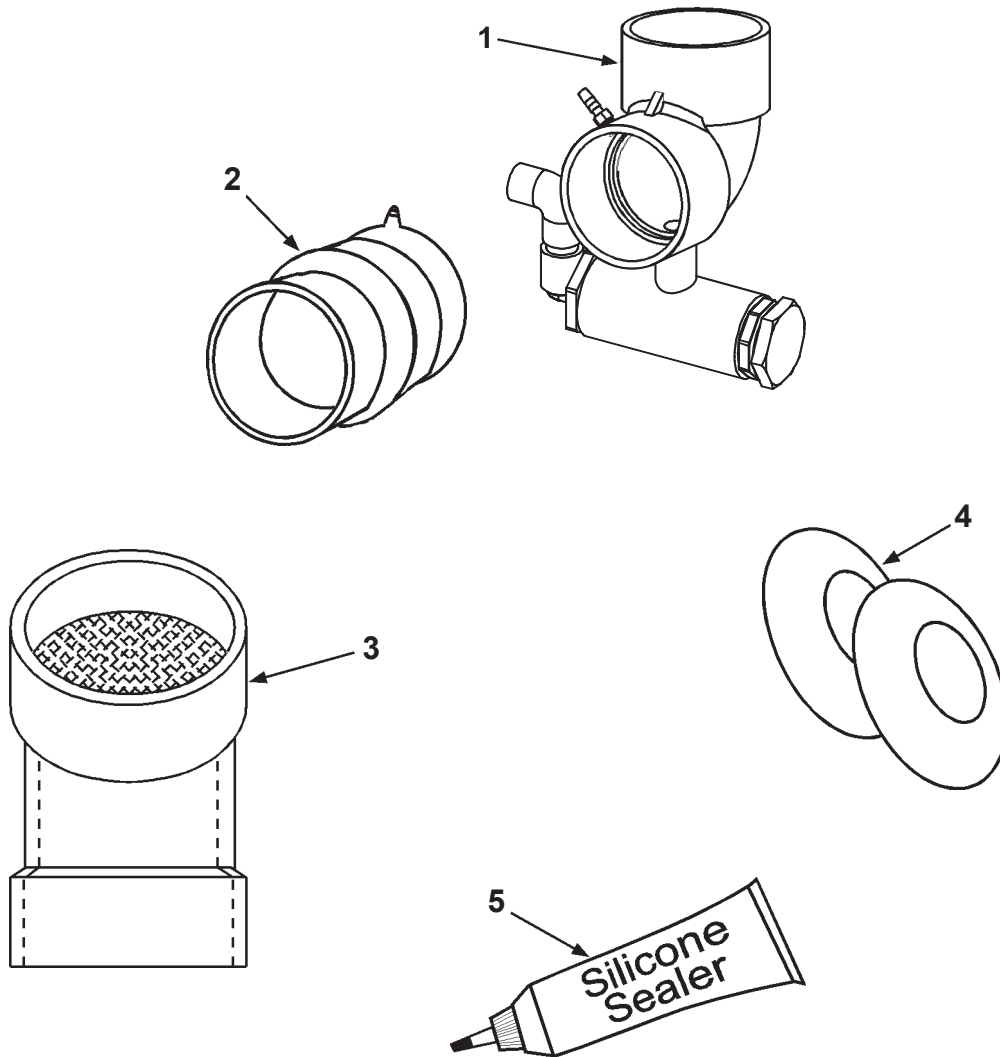
Standard hardware items may be purchased locally.

*: venturi insert for SUF 130-400 104 and SUF 130-500 104 series only.



EXHAUST ELBOW, VENT KIT & BLOWER INTAKE PARTS

Item	Description	SUF 130-300 100/101	SUF 130-400 101/104	SUF 130-500 101/104
EXHAUST ELBOW AND FITTINGS				
1	Exhaust Elbow Assembly	9007246005	9007246005	9007246005
2	Connector, Exhaust	9006111205	9006111205	9006111205
VENT KIT PARTS				
3	Intake/Vent Terminal	9006112205	9006112205	9006112205
4	Wall Plates (2 required)	9006113205	9006113205	9006113205
5	Silicone Sealer, 2 oz. Tube	9004365105	9004365105	9004365105



NOTES:



500 TENNESSEE WALTZ PARKWAY
ASHLAND CITY, TN 37015
Phone: 800-365-0024 Fax: 800-644-9306
www.statewaterheaters.com