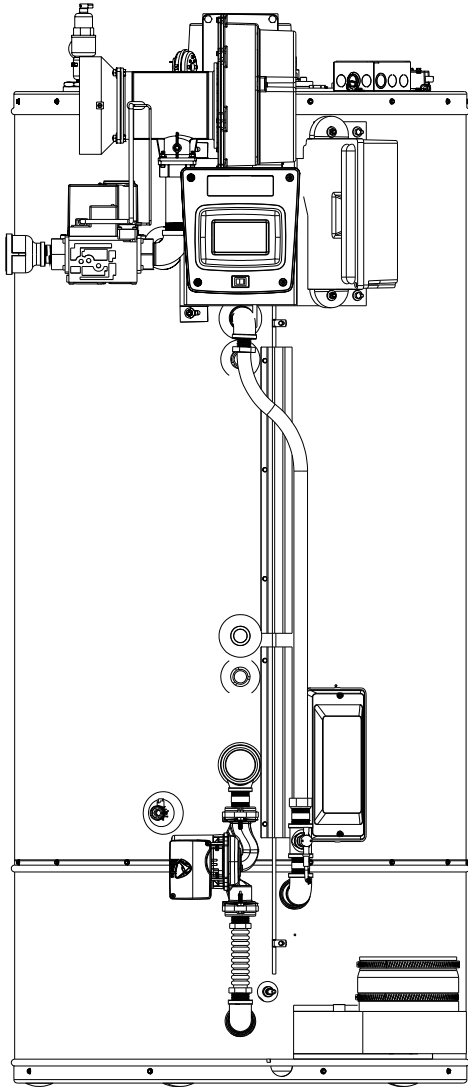


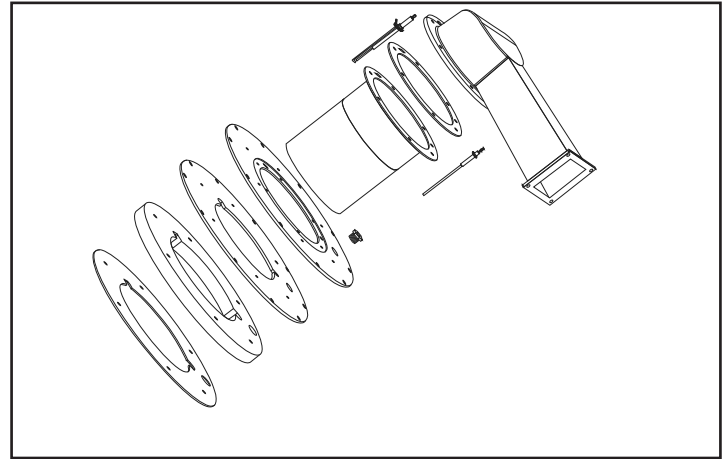
Water Heater Parts Fulfillment
1-800-821-2017

COMMERCIAL GAS WATER HEATER

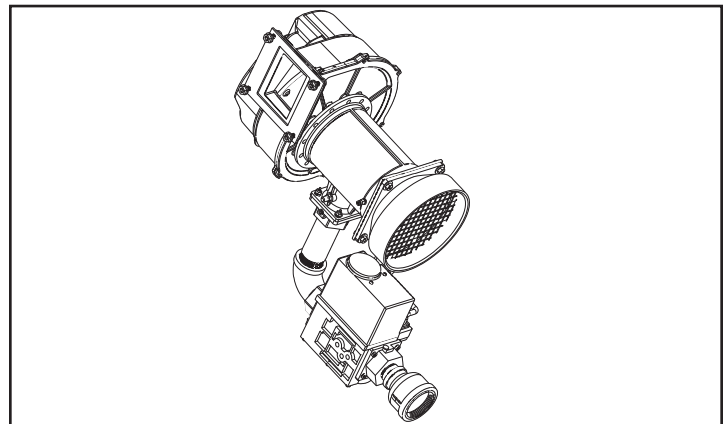
MODELS
750A & 1000A
SERIES 100 & 101



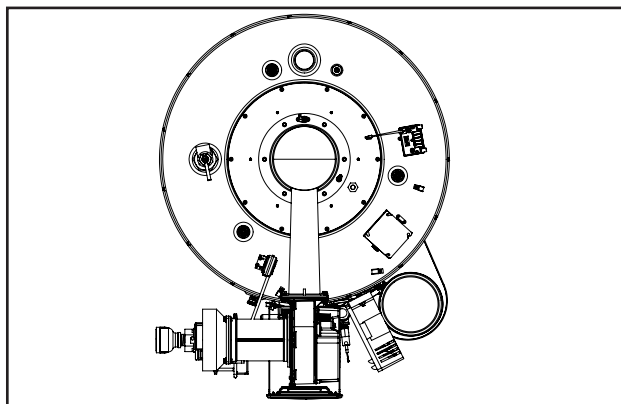
Water Heater Front View



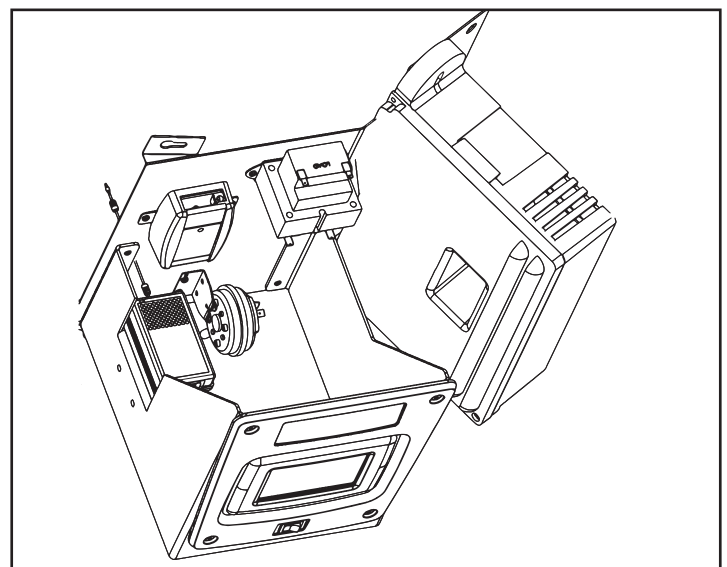
Burner Assembly



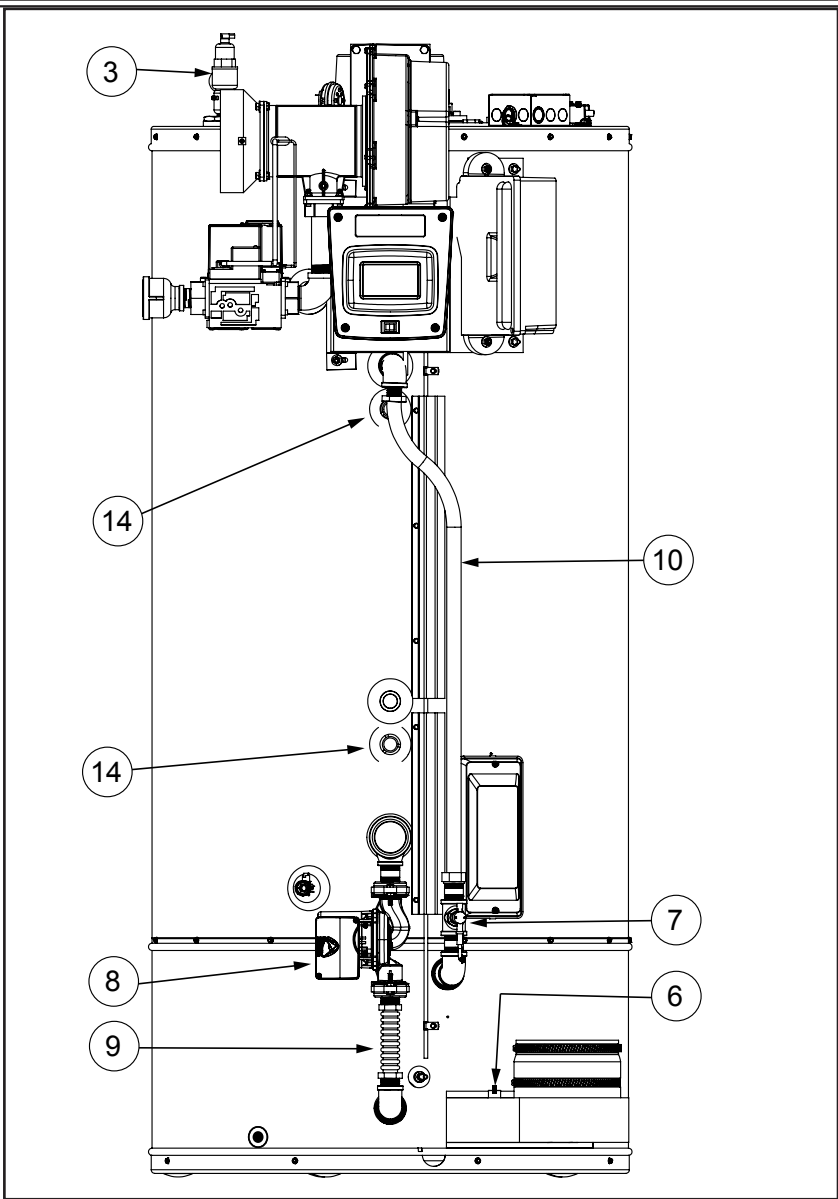
Blower Gas Valve Assembly



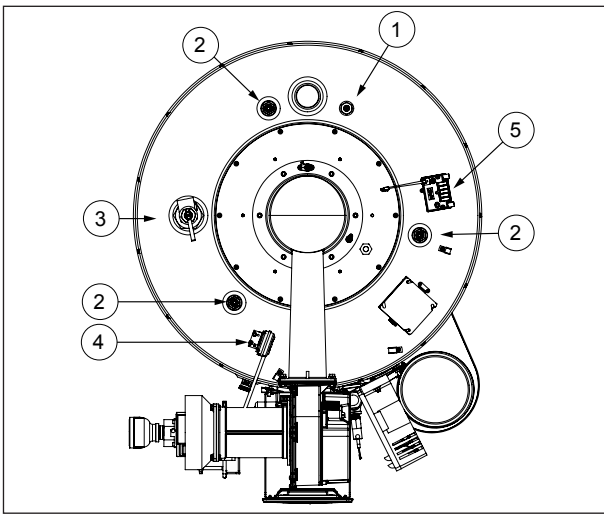
Heater Top View (without plastic cover)



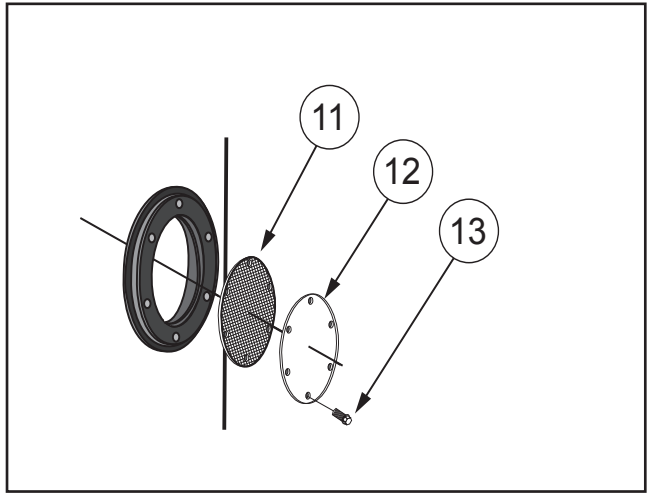
Control Panel Assembly



Front View Components

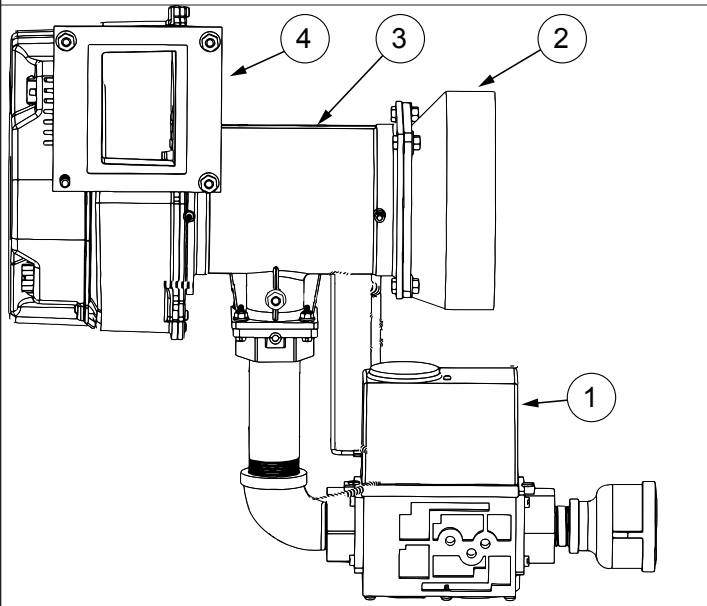


Top Components

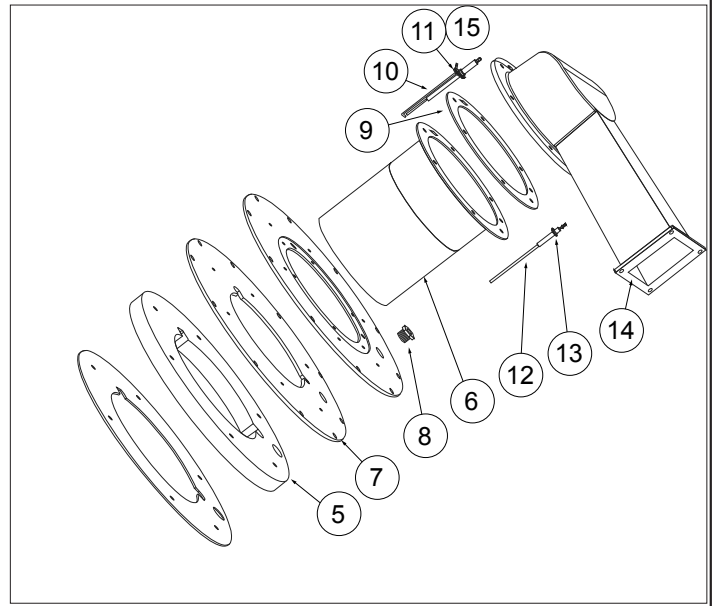


Cleanout Access

Item #	Description	750A/1000A 100 Series Natl Gas	750A/1000A 101 Series LP
1	Temperature probe & ECO	100271885	100271885
2	Powered Anode - top mounted	100313875	100313875
3	T&P relief valve	100110719	100110719
4	Blocked intake air pressure switch	100217965	100217965
5	Spark ignition transformer	100271921	100271921
6	Flue temperature probe	100313876	100313876
7	Flow switch	100313877	100313877
8	Recirculator	100313878	100313878
9	1" Flex tubing MIPxMIP, short	100313879	100313879
10	1" Flex tubing MIPxFIP, Long	100313880	100313880
11	Cleanout gasket	100109686	100109686
12	Cleanout cover	100110656	100110656
13	Thread forming screw	100109688	100109688
14	Powered anode- side mounted	100111024	100111024
15	Leak Detection Kit	100302557	100302557



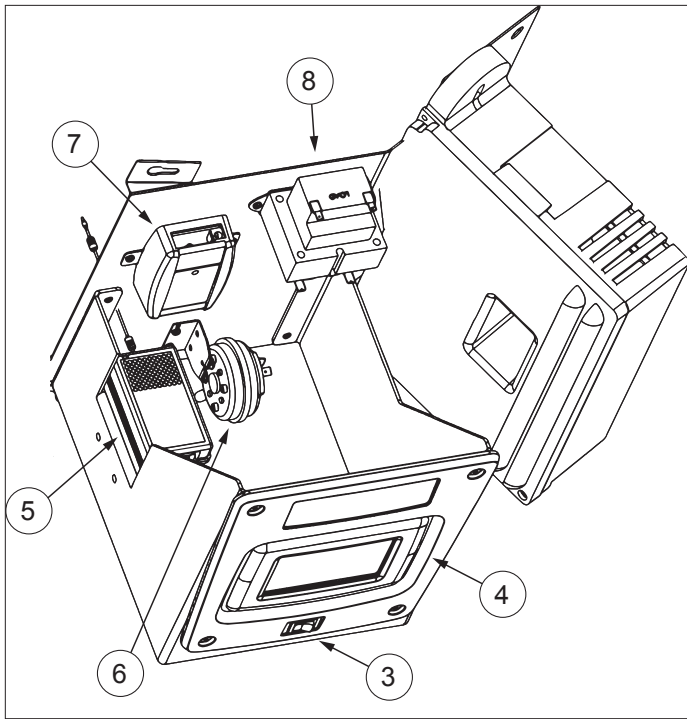
Gas Valve Assembly



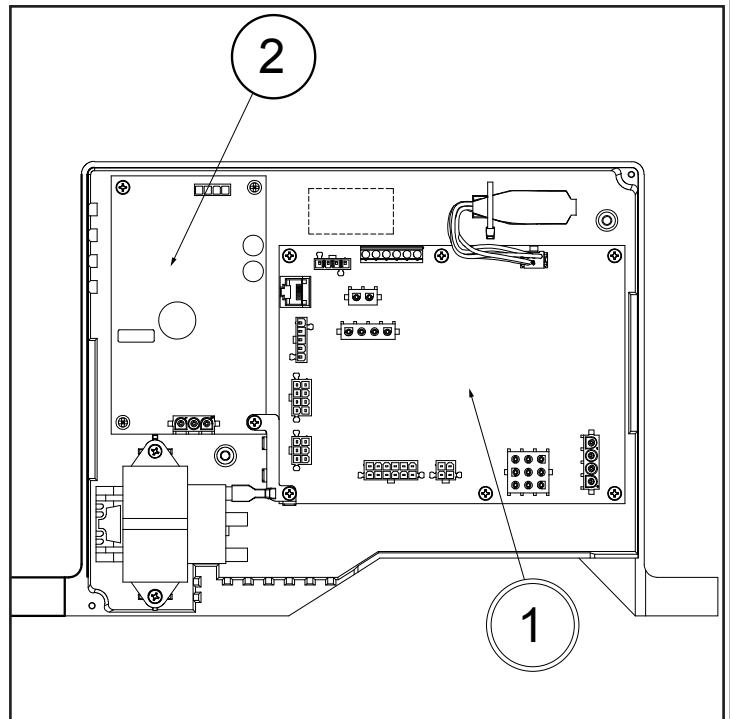
Burner Blower Assembly

750A Burner & Blower & Gas Valve Assembly Parts

Item #	Description	750A/1000A 100 Series Natl Gas	750A/1000A 101 Series LP
1	Gas Valve	100313892	100313893
2	Air Intake Adaptor	100313894	100313894
3	Venturi	100313895	100313895
4	Blower	100313896	100313896
5	Heat shield & insulation	100313897	100313897
6	Burner	100313898	100313898
7	Burner flange gasket	100313899	100313899
8	Observation sightglass	100313900	100313900
9	Burner gasket	100313901	100313901
10	Spark rod	100313902	100313902
11	Spark rod gasket	100078771	100078771
12	Flame rod	100113151	100113151
13	Flame rod gasket	100072809	100072809
14	Blower discharge gasket	100313903	100313903
15	Ignition cable	100271890	100271890



User Interface Module (UIM)



Central Control Board (CCB) Internal View

750A/1000A Control & Wiring Parts			
Item #	Description	BTHS 750A/1000AR 120 100 Series Natl Gas	BTHS 750A/1000A 101 Series LP
1	CCB Board- prograded	100312667	100312667
2	Power supply board	100113155	100113155
3	Enable/Disable switch	100096025	1000096025
4	User interface module- UIM	100312669	100312669
5	CPAM power supply	100302073	100302073
6	Blocked outlet pressure switch	100187859	100187859
7	CPAM Assembly	100302072	100302072
8	Transformer 120V-24V 75VA	100313891	100313891

NOTES

NOTES

**Water Heater Parts Fulfillment
1-800-821-2017**

Copyright © 2019. All rights reserved.