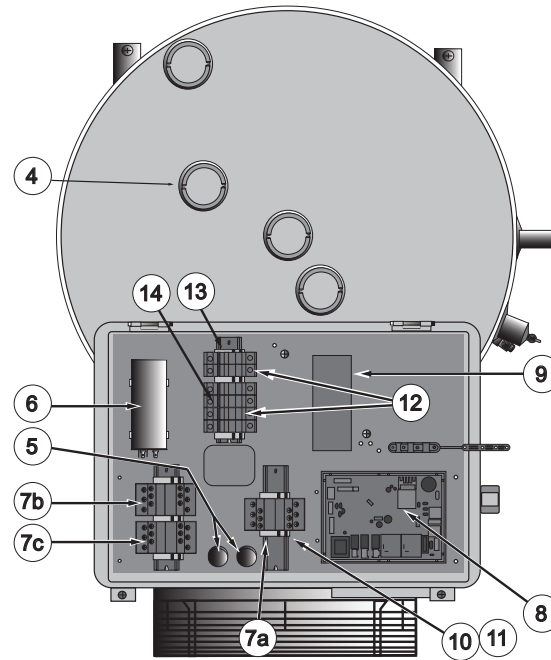


Front View

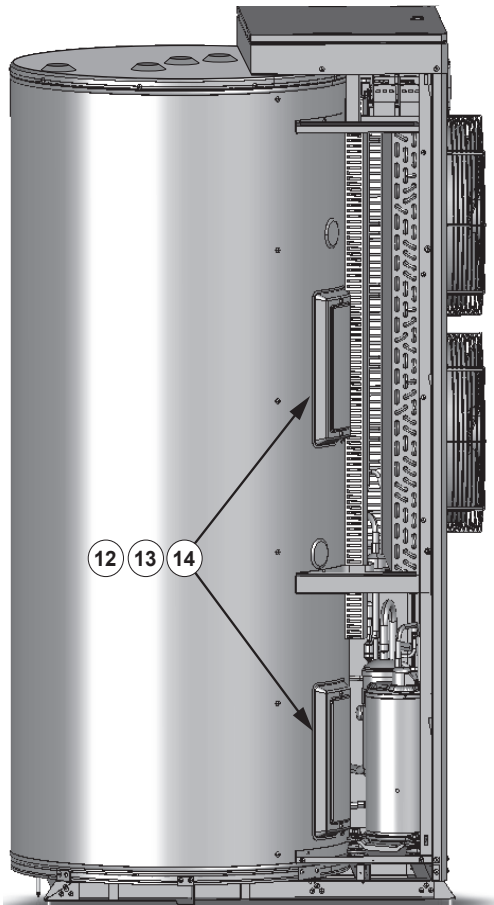


Top View

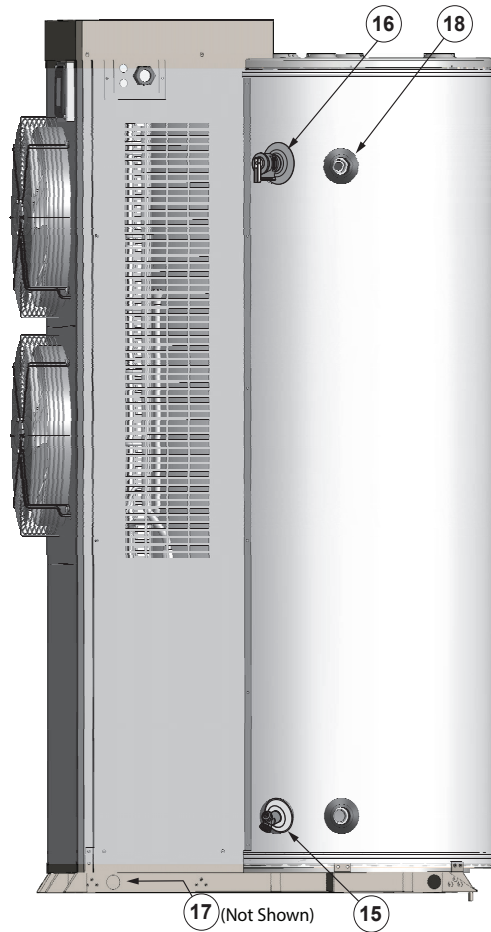
Parts List		
Item #	Description	Kit #
1	User Interface Module (UIM)	100311458
2	Fan Assembly w/Capacitor	100311459
3	Coil, Electronic Expansion Valve (EEV)	100311499
4	Anode (Located under plastic cap)	100110784
5	Capacitor, Fan	100311491
6	Capacitor, Compressor	100311460
7a	Contactator, Compressor	100311495
7b	Contactator, Upper Element	100311495
7c	Contactator, Lower Element	100311495
8	Board, Main Control (CCB)	100311382
9	Block, 5 Position Terminal	100311494
10	*Harness, Tank Temperature Sensors (Not Shown)	100311492
11	**Harness, System Temperature Sensors (Not Shown)	100311493
12	Holder, Fuse	100315376
13	Fuse, KTK Style, 600V, 20A (Compressor)	100315377
14	Fuse, KTK Style, 600V, 30A (Elements)	100315378

*Item 10 is a Wire harness containing the Upper, Mid-Upper, Mid-Lower, & Lower Tank Temperature Sensors

**Item 11 is a Wire harness containing the Suction, Discharge, Coil, & Ambient Air System Temperature Sensors



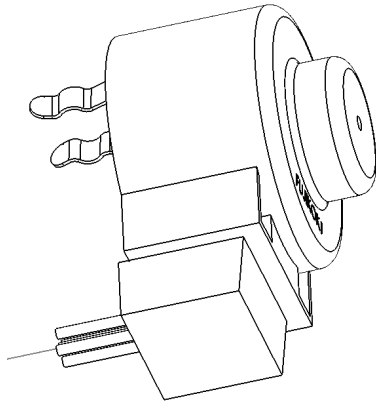
Left Side View



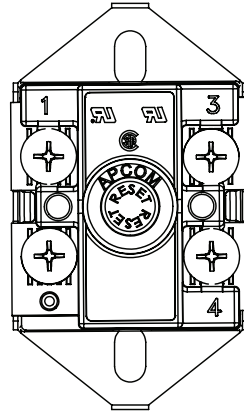
Right Side View

Parts List		
Item #	Description	Kit #
12	Element, Heating (Located Under Cover)	100109754
13	Cover, Element Plastic (Located Under Cover)	100311497
14	*ECO, Mechanical (Located Under Cover)	100311496
15	Valve, Drain	100263911
16	Valve, Temperature & Pressure	100108600
17	Tube, Condensate Drain (Not Shown)	100311501
18	Tube, Hot Water Outlet	100311457

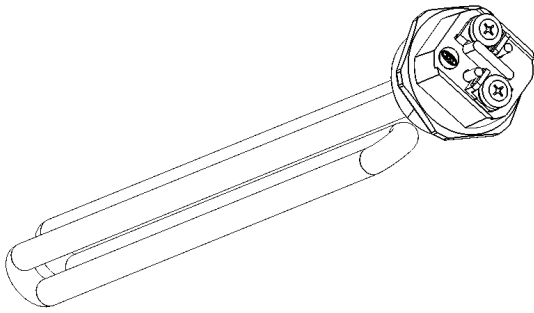
*The plastic cover is included in the Mechanical ECO kit.



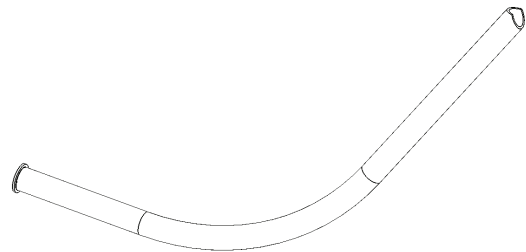
Item 3. Electronic Expansion Valve Coil



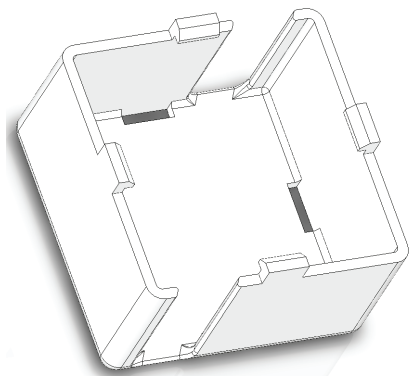
Item 14. Mechanical, ECO



Item 12. Heating Element



Item 18. Hotwater Outlet Tube



Item 13. Plastic Element Cover

