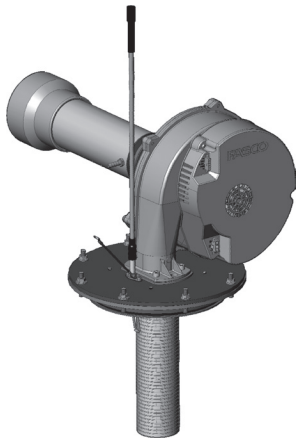


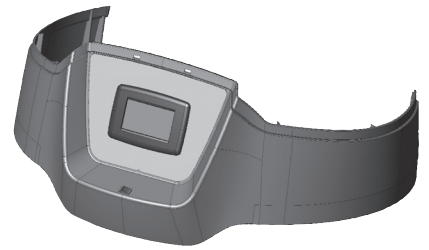
MODELS:
300(A)
400(A)
500(A)
Series: 300/301



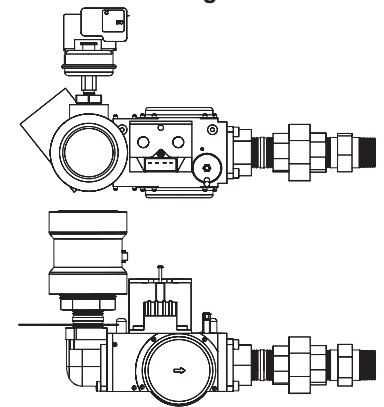
BLOWER/BURNER ASSEMBLY
See Page 5



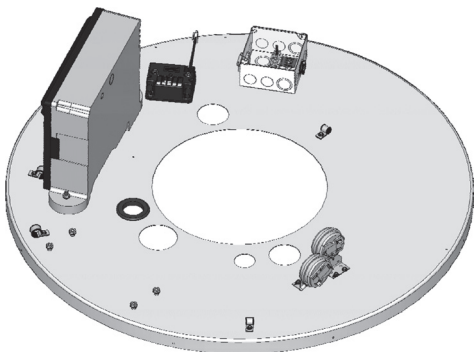
DISPLAY CONTROL ASSEMBLY
See Page 2



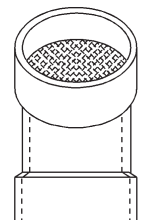
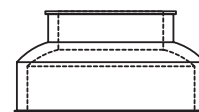
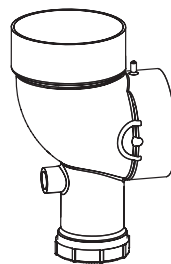
GAS VALVE
See Page 4



OPERATING CONTROL
See Page 3

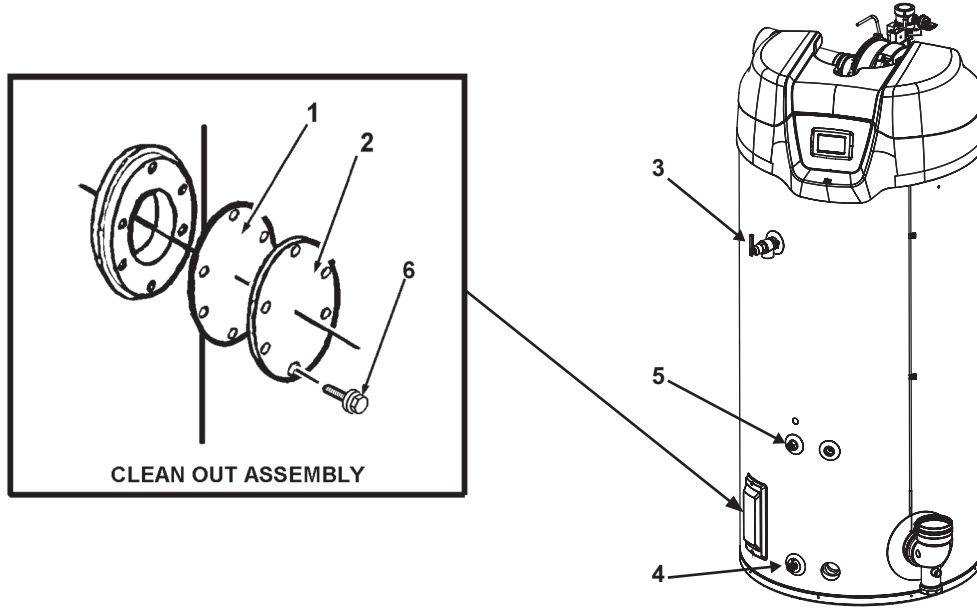


EXHAUST ELBOW, VENT KIT & BLOWER INTAKE PARTS
See Page 6



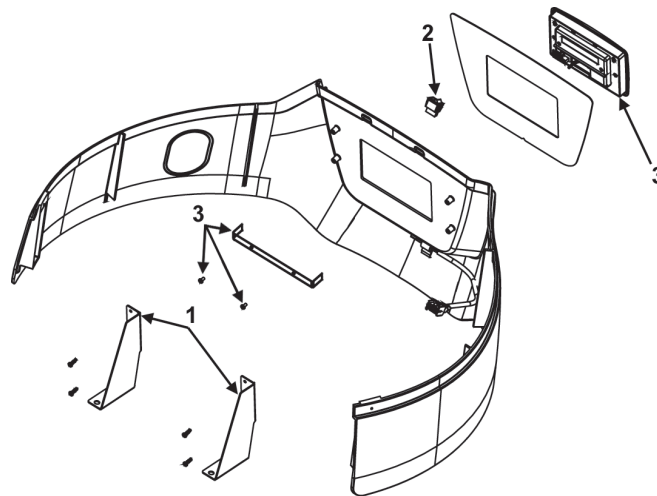
300(A)/400(A)/500(A) - Cleanout Assembly/T&P/Drain Valve Parts

Item	Description	300(A) 300/301	400(A) 300/301	500(A) 300/301
1.....	Cleanout Gasket.....	100109686	100109686	100109686
2.....	Cover, Cleanout.....	100110656	100110656	100110656
3.....	Temperature and Pressure Relief Valve.....	100110719	100110719	100110719
4.....	Drain Valve.....	100263911	100263911	100263911
5.....	Lower Temperature Probe.....	100271886	100271886	100271886
6.....	Thread Forming Screws.....	100109688	100109688	100109688



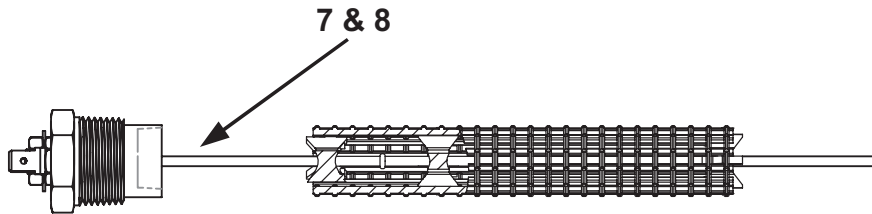
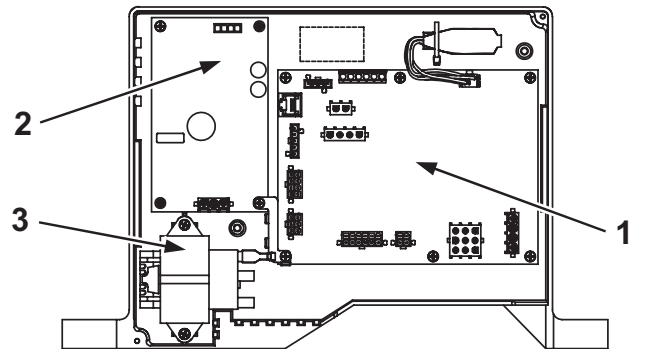
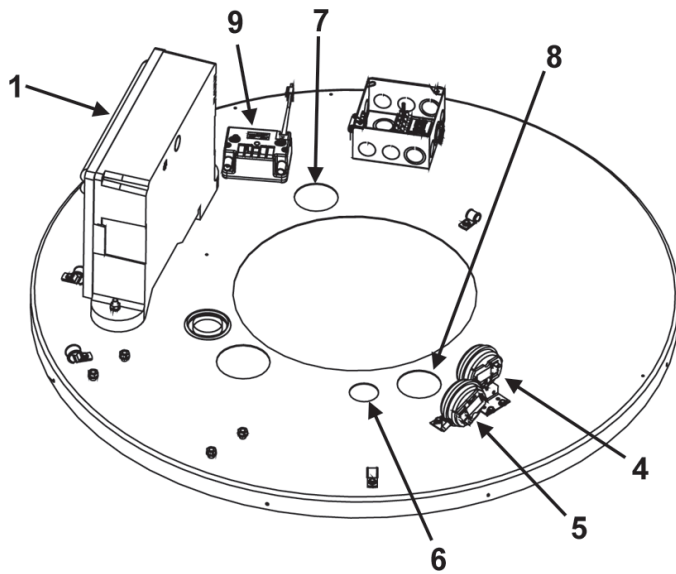
DISPLAY CONTROL ASSEMBLY

Item	Description	300(A) 300/301	400(A) 300/301	500(A) 300/301
1.....	Display Band Mount.....	100111047	100111047	100111047
2.....	Enable/Disable Switch.....	100096025	100096025	100096025
3.....	User Interface Module - UIM.....	100312669	100312669	100312669



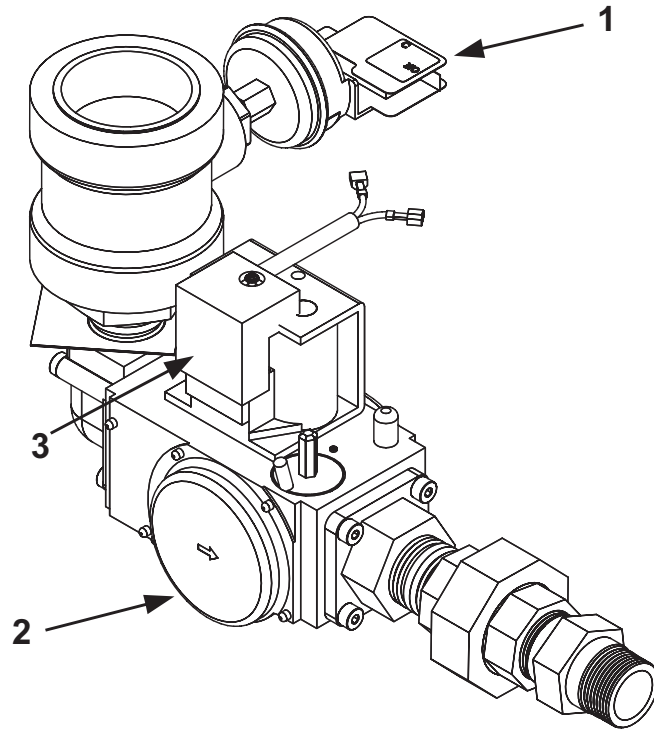
300(A)/400(A)/500(A) - OPERATING CONTROLS & WIRING

Item	Description	300(A) 300/301	400(A) 300/301	500(A) 300/301
1CCB Board - Programmed	100312667	100312667	100312667
2Power Supply Board	100113155	100113155	100113155
3Transformer.....	100113157	100113157	100113157
4Blocked Intake Switch.....	100217965	100217965	100217965
5Blocked Outlet Switch.....	100187859	100187859	100187859
6Upper Temperature/ECO Probe.....	100271885	100271885	100271885
7Powered Anode - Short.....	100187890	100187890	100187890
8Powered Anode - Long.....	100111023	100111023	100111023
9Spark Ignition Transformer.....	100271921	100271921	100271921



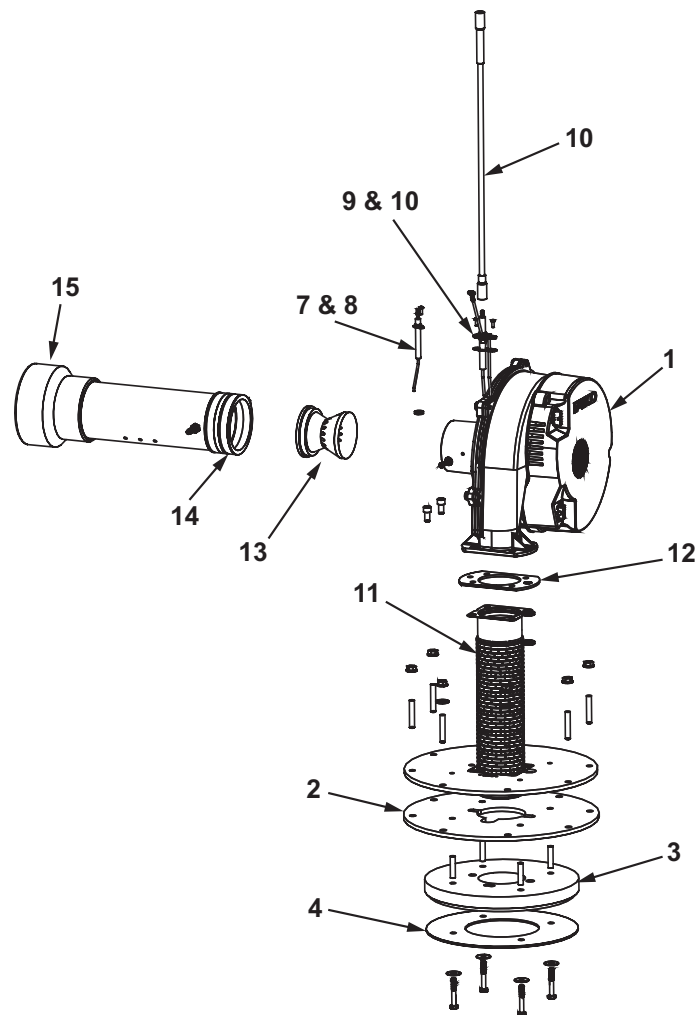
300(A)/400(A)/500(A) - GAS VALVE ASSEMBLY

Item	Description	300(A) 300/301	400(A) 300/301	500(A) 300/301
1	Switch, Low Gas Pressure , Natural Gas	100111033	100111033	100111033
	LP Gas.....	100111032	100111032	100111032
2	Valve, Gas Natural & LP	100187876	100187876	100187876
3	Rectifier Plug Assembly.....	100070208	100070208	100070208



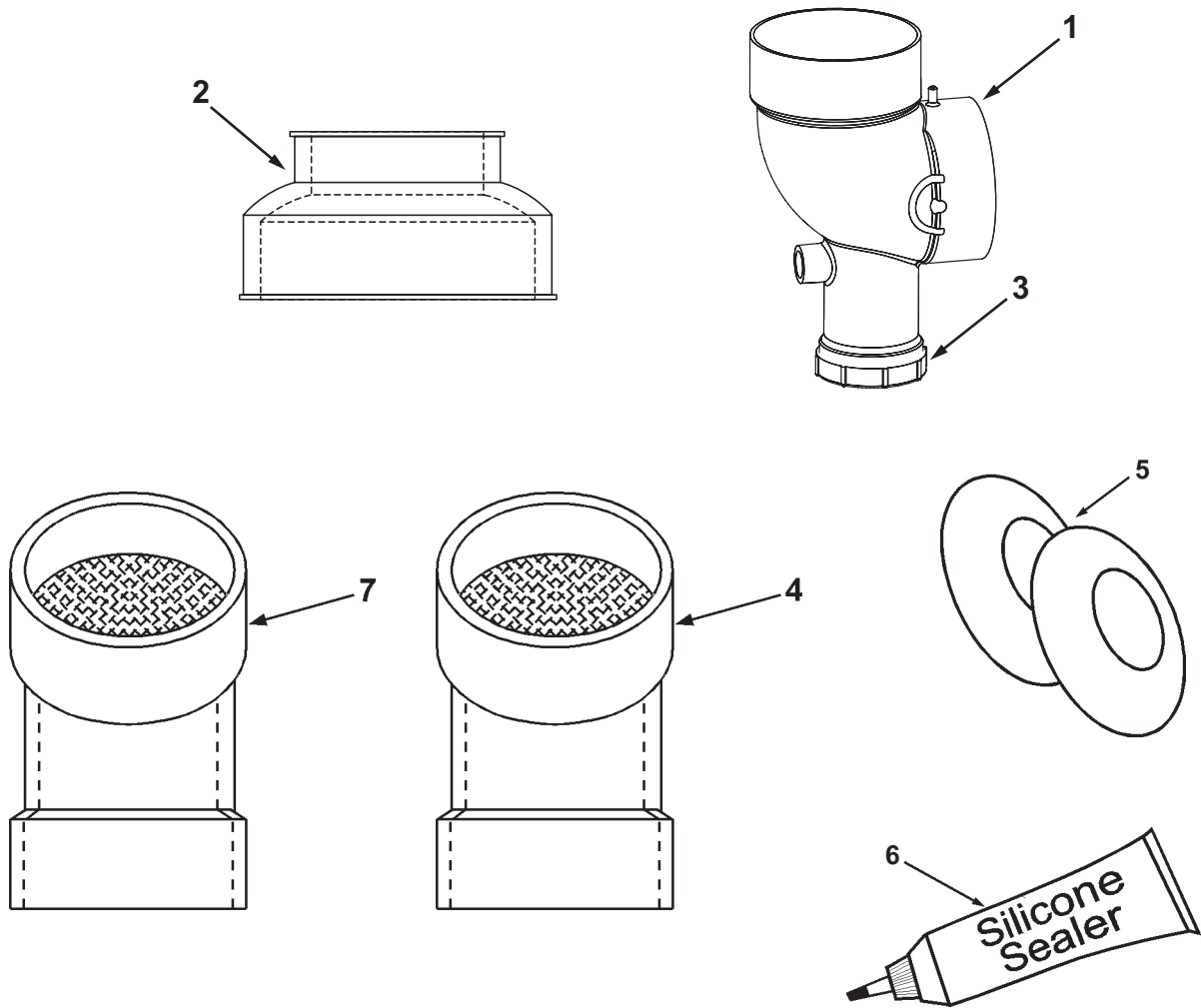
300(A)/400(A)/500(A) BLOWER/BURNER ASSEMBLY

Item	Description	300(A)	400(A)	500(A)
		300/301	300/301	300/301
1	Blower Assembly	100271887	100271887	100271887
2	Burner Plate Gasket	100187878	100187878	100187878
3	Insulation Disk -Pyrolite	100187879	100187879	100187879
4	SS Heat Shield	100187880	100187880	100187880
5	View Port - Glass (Not Shown)	100110901	100110901	100110901
6	View Port Gasket (Not Shown)	100110902	100110902	100110902
7	Flame Sensor Rod	100187882	100187882	100187882
8	Flame Sensor Rod Gasket	100072809	100072809	100072809
9	Spark Rod	100271889	100271889	100271889
10	Spark Rod Gasket	100078771	100078771	100078771
11	Burner	100187883	100187883	100187883
12	Burner/Blower Gasket	100187884	100187884	100187884
13	Blower Intake Venturi	100187885	100187885	100187885
14	Rubber Coupling	100110906	100110906	100110906
15	Blower Intake Reducer Assembly	100187886	100187886	100187886



4" EXHAUST CONNECTOR AND VENT KIT ASSEMBLIES - MODELS 300(A) - 500(A)

Item	Description	300(A) 300/301	400(A) 300/301	500(A) 300/301
EXHAUST ELBOW AND FITTINGS				
1	Exhaust/Condensate Elbow Assembly	100187863	100187863	100187863
2	Connector, Exhaust	100110908	100110908	100110908
3	Condensate Trap Gasket	100228369	100228369	100228369
VENT KIT PARTS				
4	Intake/Exhaust Vent Terminal	100110909	100110909	100110909
5	Wall Plates (2 required)	100110910	100110910	100110910
6	Silicone Sealer, 2 oz. tube	100109821	100109821	100109821
7	Exhaust Vent Terminal (Canada)	100111103	100111103	100111103



NOTES:

WATER HEATER PARTS FULFILLMENT
1-800-821-2017

Copyright © 2019, All rights reserved.