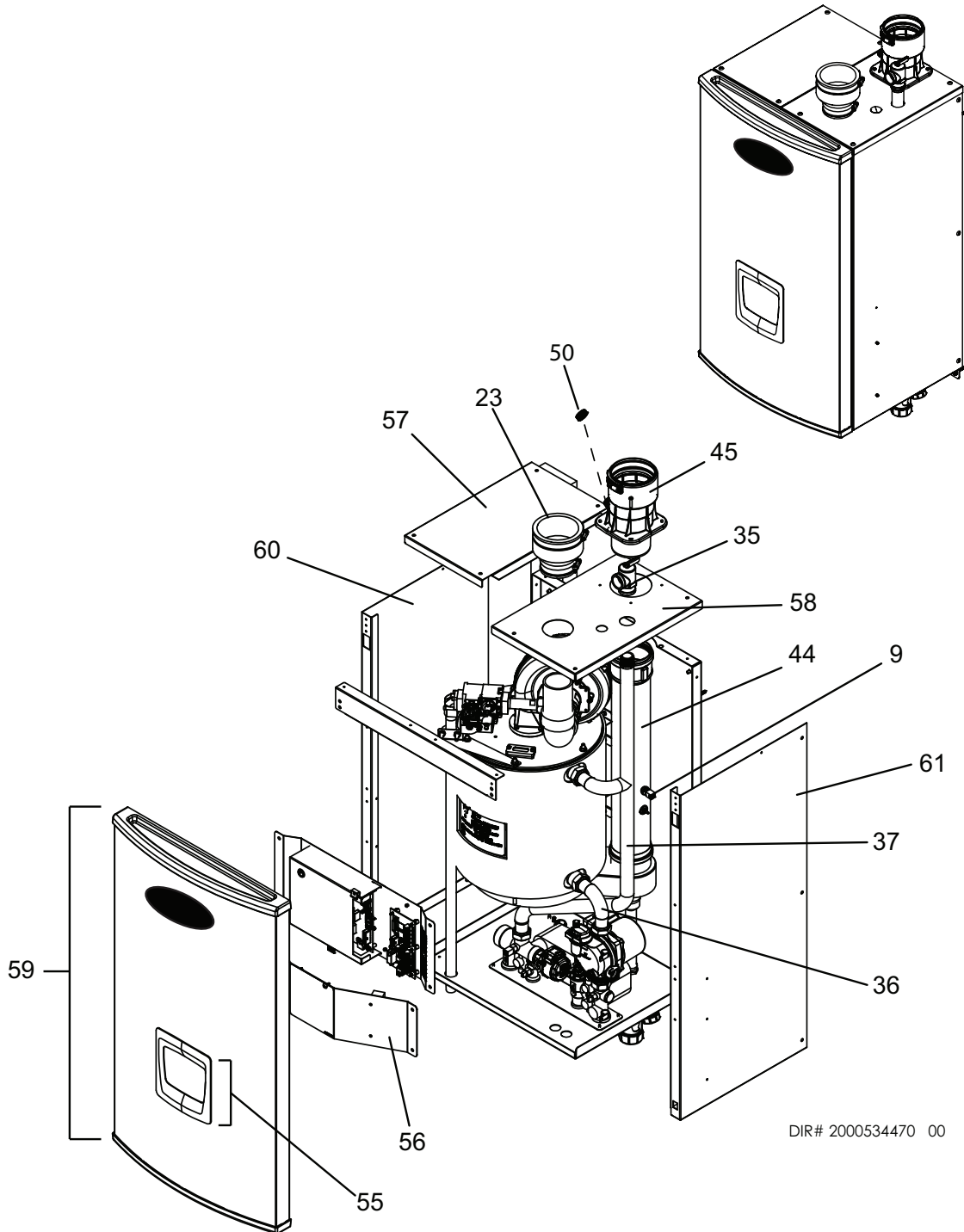


ProLine® XE Combi Boiler

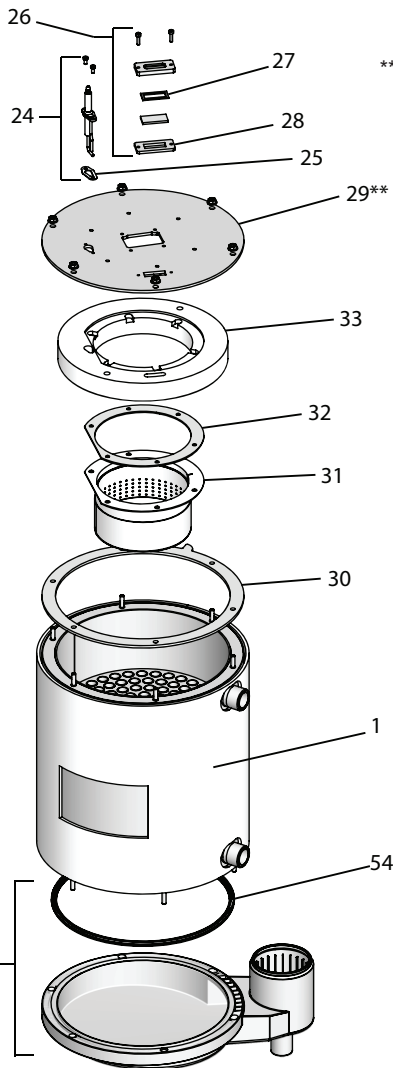
Replacement Parts List

ProLine® XE Combi Boiler
Models: 110 - 150 - 199
Series 100 - 101 & 110 - 111



DIR# 2000534470 00

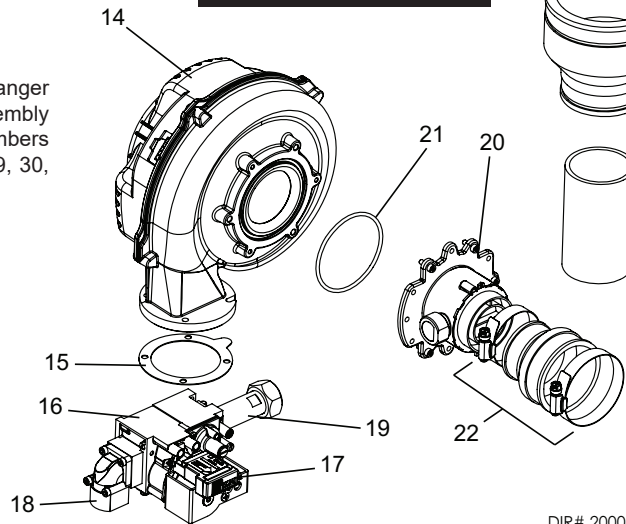
HEAT EXCHANGER



DIR# 2000541110 00

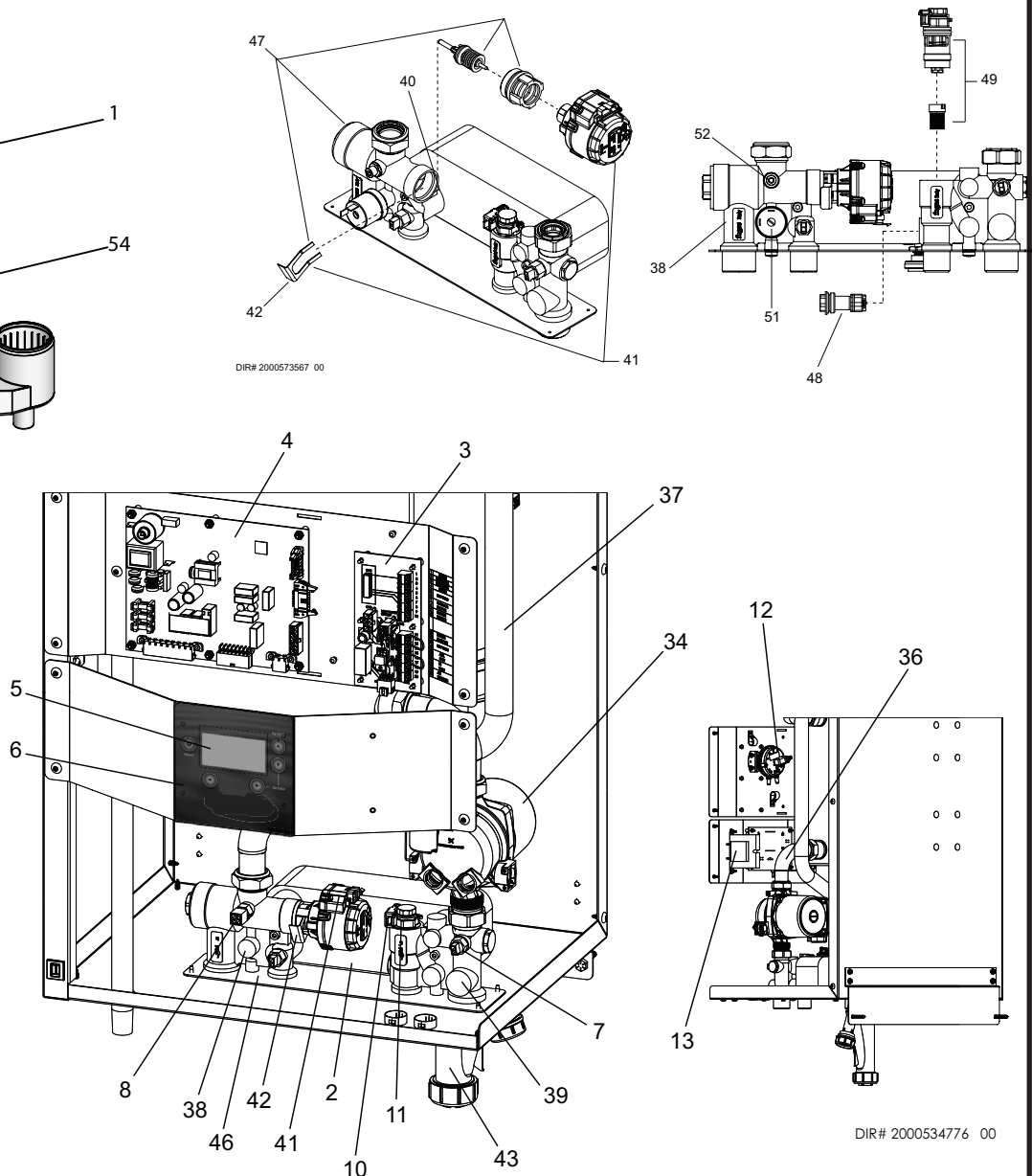
** The Heat Exchanger Top Plate Assembly includes item numbers 15, 25, 27, 28, 29, 30, 32, and 33.

GAS TRAIN



DIR# 2000534767 00

CONTROLS



DIR# 2000534776 00

ITEM NO.	PART NO.	DESCRIPTION	MODEL
HEAT EXCHANGER ASSEMBLIES			
1	100296900	HEAT EXCHANGER ASSEMBLY	110
1	100296901	HEAT EXCHANGER ASSEMBLY	150
1	100296904	HEAT EXCHANGER ASSEMBLY	199
2	100296905	HEAT EXCHANGER ASSEMBLY, BRAZED PLATE	ALL
CONTROLS			
3	100296910*	CONNECTION BOARD	ALL
4	100296967*	CONTROL BOARD, MAIN	110
4	100296911*	CONTROL BOARD, MAIN	150
4	100296913*	CONTROL BOARD, MAIN	199
4	100296912	CONTROL BOARD, MAIN - HIGH ALTITUDE	110
4	100296914	CONTROL BOARD, MAIN - HIGH ALTITUDE	150
4	100296915	CONTROL BOARD, MAIN - HIGH ALTITUDE	199
5	100296916	CONTROL BOARD, USER INTERFACE	ALL
6	100296918	LABEL, CONTROL OVERLAY	ALL
7	100296920*	SENSOR, INLET / DHW	ALL
8	100296951*	SENSOR, OUTLET / HIGH LIMIT	ALL
9	100296952*	SENSOR, FLUE W/ GROMMET	ALL
10	100296953*	SENSOR, FLOW	ALL
-	100296954	SENSOR, OUTDOOR AIR	ALL
11	100296932*	SWITCH, FLOW	ALL
12	100296933*	SWITCH, PRESSURE	ALL
13	100296919	TRANSFORMER - 24V, 40VA	ALL
GAS TRAIN			
14	100296949*	FAN ASSEMBLY W/ GASKET	110 - 150
14	100296950*	FAN ASSEMBLY W/ GASKET	199
15	100296935*	GASKET, FAN	ALL
16	100296957	GAS VALVE ASSEMBLY W/ GASKET	ALL
17	100296934	SWITCH, GAS VALVE ON/OFF	ALL
18	100296958	FLANGE, GAS VALVE W/ GASKET	ALL
19	100296959	ADAPTER, GAS VALVE W/ GASKET	110
19	100296960	ADAPTER, GAS VALVE W/ GASKET	150
19	100296961	ADAPTER, GAS VALVE W/ GASKET	199
-	100296936	GASKET, GAS VALVE ADAPTER	ALL
20	100296962	VENTURI, NAT	110
20	100296963	VENTURI, NAT	150
20	100296964	VENTURI, NAT	199
20	100296965	LP CONVERSION KIT	110
20	100296966	LP CONVERSION KIT (PRIOR TO SERIAL #1837)	150
20	100309806	LP CONVERSION KIT (BEGINNING SERIAL #1837)	150
20	100296970	LP CONVERSION KIT	199
21	100296937*	GASKET, VENTURI O-RING	110 - 150
21	100296938*	GASKET, VENTURI O-RING	199
22	100296981	COUPLING, VENTURI W/ CLAMPS	ALL
23	100296982	COUPLING, AIR INLET	ALL
PILOT AND BURNER ASSEMBLIES			
24	100296971*	KIT, IGNITOR W/ GASKET & SCREWS	ALL
25	100296939	GASKET, IGNITOR	ALL
26	100296926	KIT, SIGHT GLASS W/ GASKETS	ALL
27	100296980	GASKET, SIGHT GLASS - WHITE	ALL
28	100296941	GASKET, SIGHT GLASS - RED	ALL
29	100296906**	HEAT EXCHANGER TOP PLATE ASSEMBLY	110
29	100296908**	HEAT EXCHANGER TOP PLATE ASSEMBLY	150
29	100296909**	HEAT EXCHANGER TOP PLATE ASSEMBLY	199
30	100296942	GASKET, HEAT EXCHANGER TOP PLATE	110
30	100296943	GASKET, HEAT EXCHANGER TOP PLATE	150
30	100296944	GASKET, HEAT EXCHANGER TOP PLATE	199
31	100296972	BURNER W/ GASKET	110
31	100296973	BURNER W/ GASKET	150
31	100296975	BURNER W/ GASKET	199
PLEASE HAVE MODEL AND SERIAL NUMBER WHEN ORDERING PARTS *ITEMS DENOTE SUGGESTED INVENTORY PARTS			

ITEM NO.	PART NO.	DESCRIPTION	MODEL
PILOT AND BURNER ASSEMBLIES (CONTINUED)			
32	100296945*	GASKET, BURNER	110
32	100296946*	GASKET, BURNER	150 - 199
33	100296976	INSULATION, TOP PLATE	110
33	100296977	INSULATION, TOP PLATE	150
33	100296978	INSULATION, TOP PLATE	199
PUMPS			
34	100296927*	PUMP ASSEMBLY W/ GASKETS	ALL
MISCELLANEOUS			
35	100296931	RELIEF VALVE, 50 PSI	ALL
-	100296969*	GAUGE, TRIOMETER - 75 PSI, 210°F	ALL
36	100296865	WATER TUBE, INLET - COMBI	ALL
37	100275589	WATER TUBE, OUTLET - COMBI	ALL
-	100296947	GASKET SET, WATER TUBE	ALL
38	100321405	FLOW GROUP W/ GASKETS, OUTLET PIPE, UNIT HARNESS (PRIOR TO SERIAL #1919)	ALL
38	100296866	FLOW GROUP W/ GASKETS (BEGINNING SERIAL #1919)	ALL
39	100296867	KIT, RETURN GROUP W/ GASKETS	ALL
40	100296948	GASKET, HEX TO FLOW GROUP	ALL
41	100297442	DIVERTER MOTOR W/ CLIP	ALL
42	100296968	CLIP, DIVERTER MOTOR	ALL
43	100296868*	CONDENSATE TRAP ASSEMBLY	ALL
-	100296869	HOSE, CONDENSATE TRAP	ALL
44	100296870	FLUE CONNECTION PIPE, 3" CPVC	110 - 199
45	100296921	FLUE ADAPTER, 3" PVC W/ ANALYZER PORT	ALL
-	100297446	GASKET, FLUE ADAPTER, 80 MM	ALL
-	100309806	LP CONVERSION KIT	150 N
-	100296922	SHUTTER, AIR (LP ONLY)	110 L
-	100296923	SHUTTER, AIR (LP ONLY)	150 L
-	100296924	SHUTTER, AIR (LP ONLY)	199 L
-	100296928	HARNESS, MAIN UNIT W/ FLOW SENSOR	ALL
-	100296929	HARNESS, POWER - COMBI	ALL
-	100296930	HARNESS, SPARK IGNITOR	ALL
-	100296987	HARNESS, CONNECTION BOARD	ALL
-	100321407	OUTLET, LWCO, AIR VENT AUTO	ALL
46	100296925	MOUNTING PLATE, WATER SET	ALL
47	100297443	DIVERTER MOTOR ASSEMBLY	ALL
48	100297444	BYPASS ASSEMBLY	ALL
49	100297445	SWITCH, FLOW W/ GREASE COMPOUND (EXPLODED VIEW)	ALL
50	100297441	COMBUSTION ANALYZER PORT COVER	ALL
51	100318326	WATER PRESSURE SWITCH	ALL
52	100318328	PLUG W/ O-RING	ALL
53	100341421	FLUE COLLECTOR W/ GASKET	110
53	100341422	FLUE COLLECTOR W/ GASKET	150
53	100341423	FLUE COLLECTOR W/ GASKET	199
54	100341424	GASKET, FLUE COLLECTOR	110
54	100341425	GASKET, FLUE COLLECTOR	150
54	100341426	GASKET, FLUE COLLECTOR	199
JACKET ASSEMBLIES			
55	100296986	KIT, DISPLAY BEZEL W/ CLIPS	ALL
56	100296988	KIT, BEZEL BRACKET W/ CONTROL OVERLAY LABEL	110
56	100296989	KIT, BEZEL BRACKET W/ CONTROL OVERLAY LABEL	150 - 199
-	100296990	JACKET, OUTER TOP FRONT	110
57	100296991	JACKET, OUTER TOP - LEFT	150 - 199
58	100296992	JACKET, OUTER TOP - RIGHT	150
58	100296993	JACKET, OUTER TOP - RIGHT	199
59	100296994	JACKET, OUTER FRONT DOOR ASSEMBLY	110
59	100296995	JACKET, OUTER FRONT DOOR ASSEMBLY	150 - 199
60	100296996	JACKET, OUTER LEFT SIDE	ALL
61	100296997	JACKET, OUTER RIGHT SIDE	ALL

PLEASE HAVE MODEL AND SERIAL NUMBER WHEN ORDERING PARTS
***ITEMS DENOTE SUGGESTED INVENTORY PARTS**