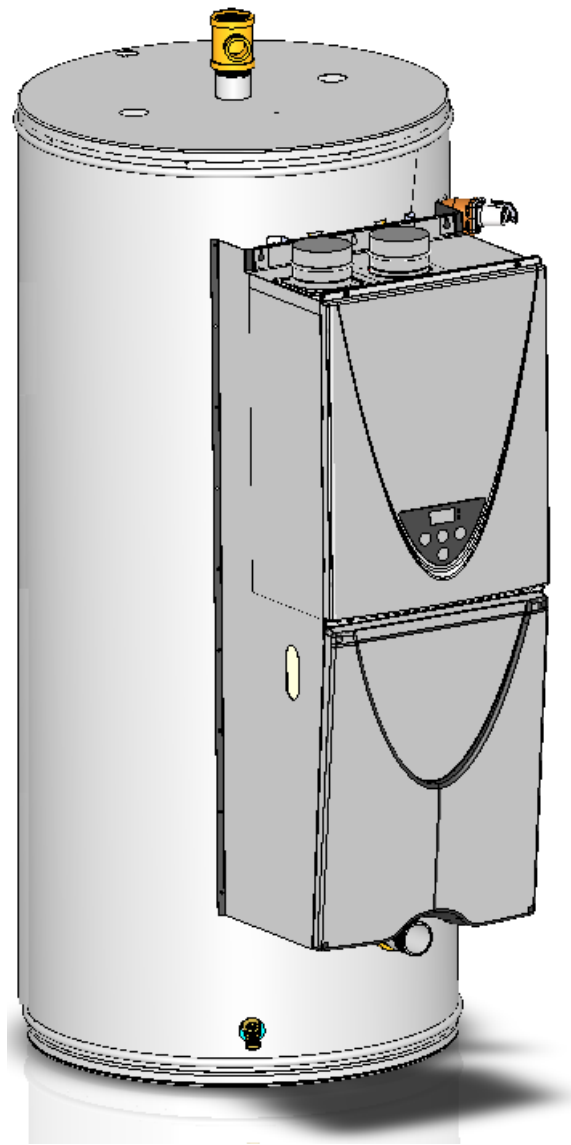


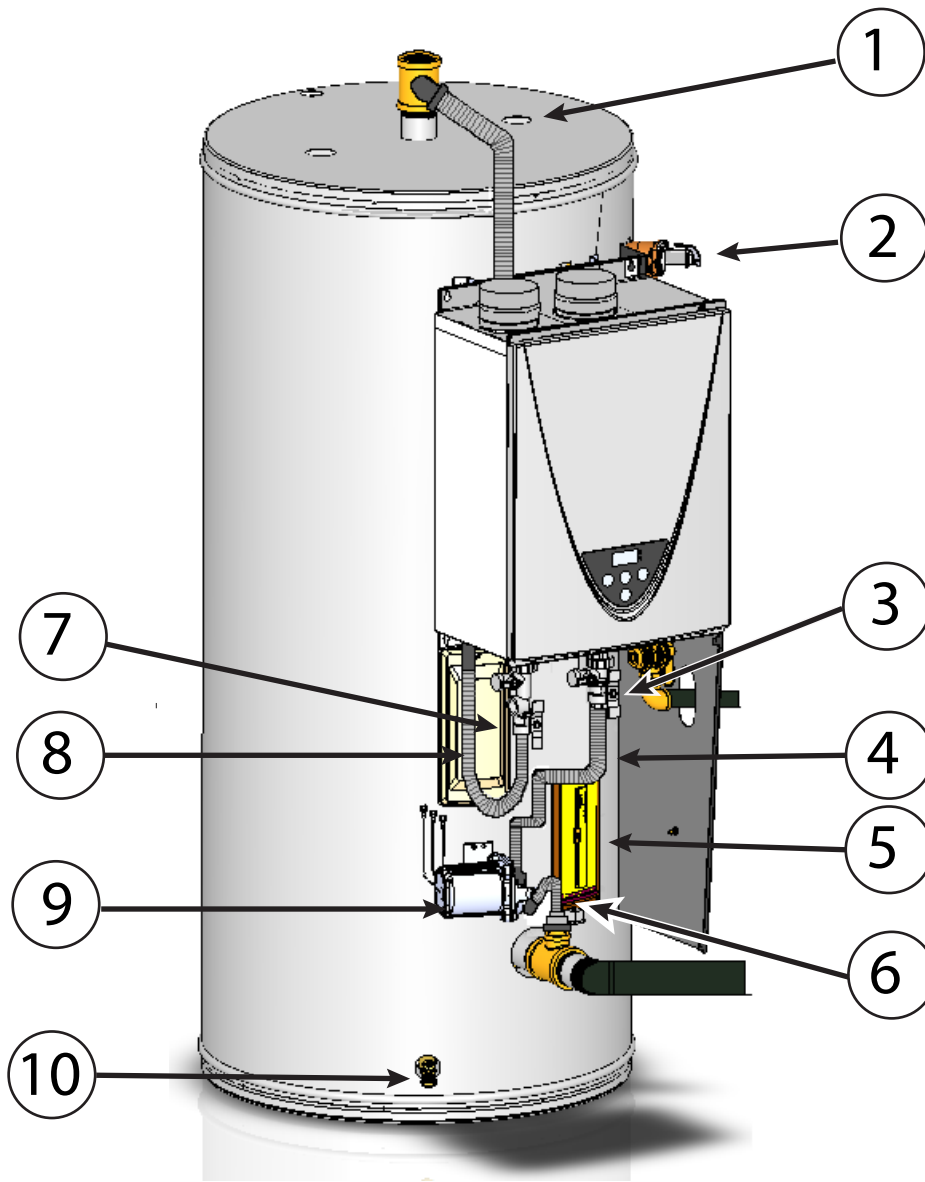
COMMERCIAL GAS WATER HEATER REPLACEMENT PARTS LIST

Model (A/S/M) TX-199

Series: 100/101



SEE WARRANTY FOR REPLACEMENT CONTACT INFORMATION



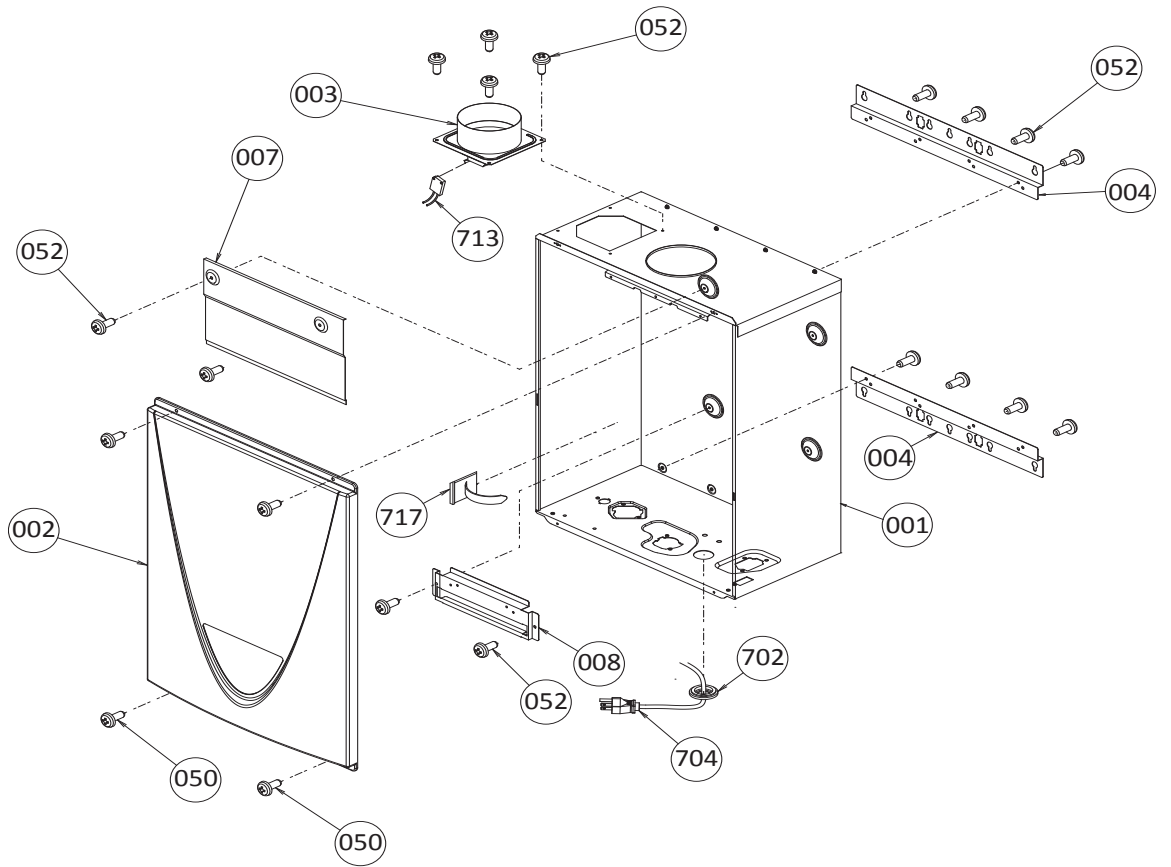
Storage Tank Components

Item	Parts Description	Part Number
001.....	Anode	100109223
002.....	T&P Valve	100110880
003.....	Isolation Valves Kit (inlet, outlet, and relief valves).....	100112156
004.....	CSST, Pump Outlet	100287684
005.....	Pump Controller.....	100287688
006.....	CSST, Pump Inlet	100287685
007.....	External Thermistor (not shown)	100287689
008.....	CSST, Heater Outlet.....	100287686
009.....	Pump	100287687
010.....	Drain Valve	100263912

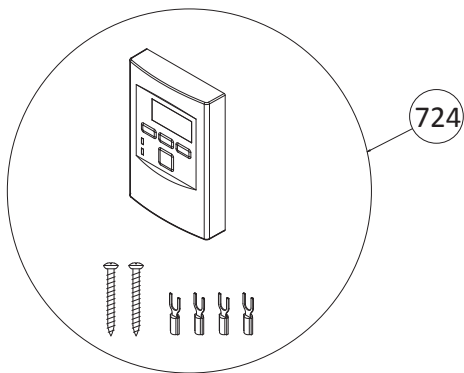
SEE WARRANTY FOR REPLACEMENT CONTACT INFORMATION

Heater Components

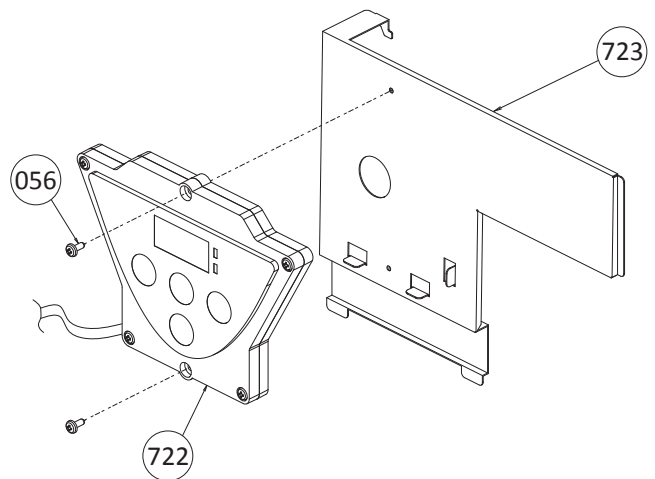
Case assembly



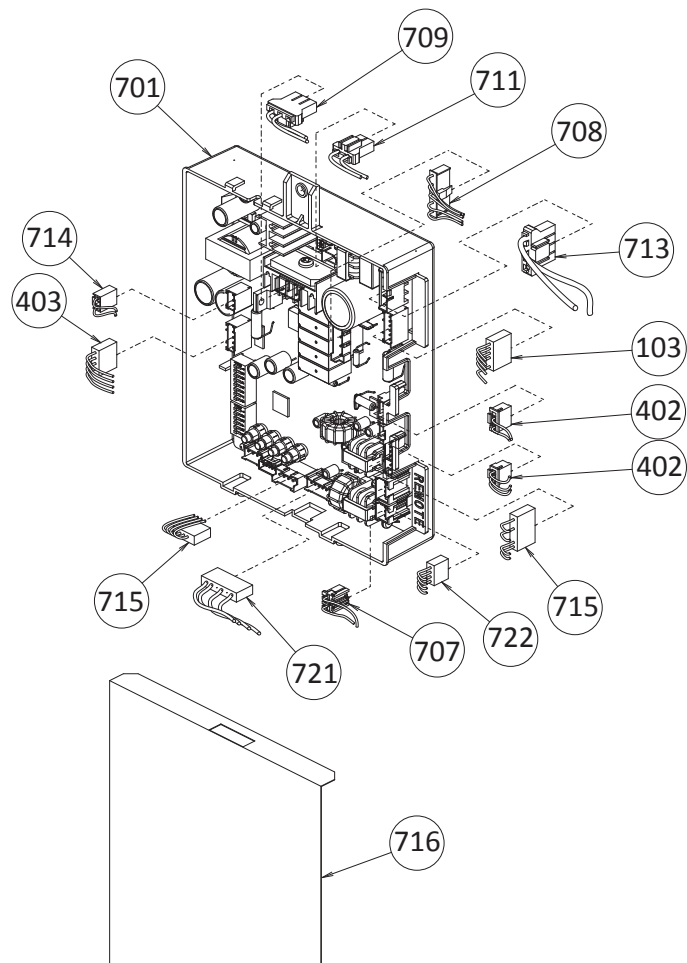
Temperature remote controller



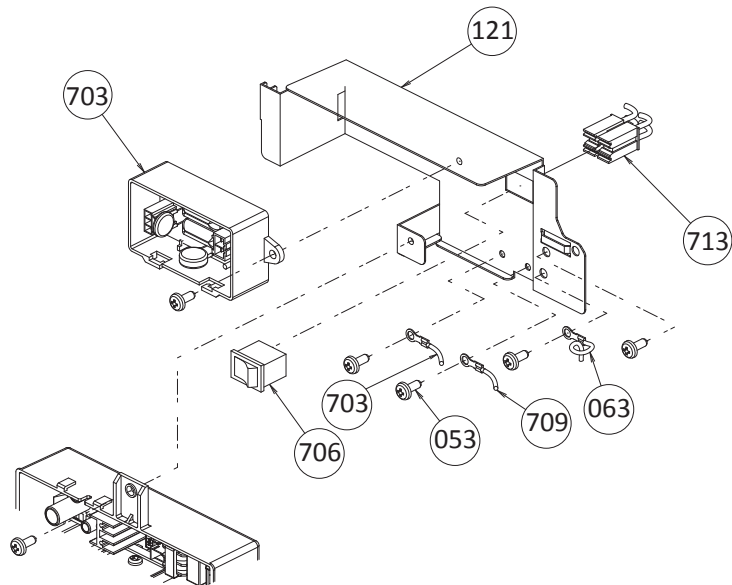
Temperature controller



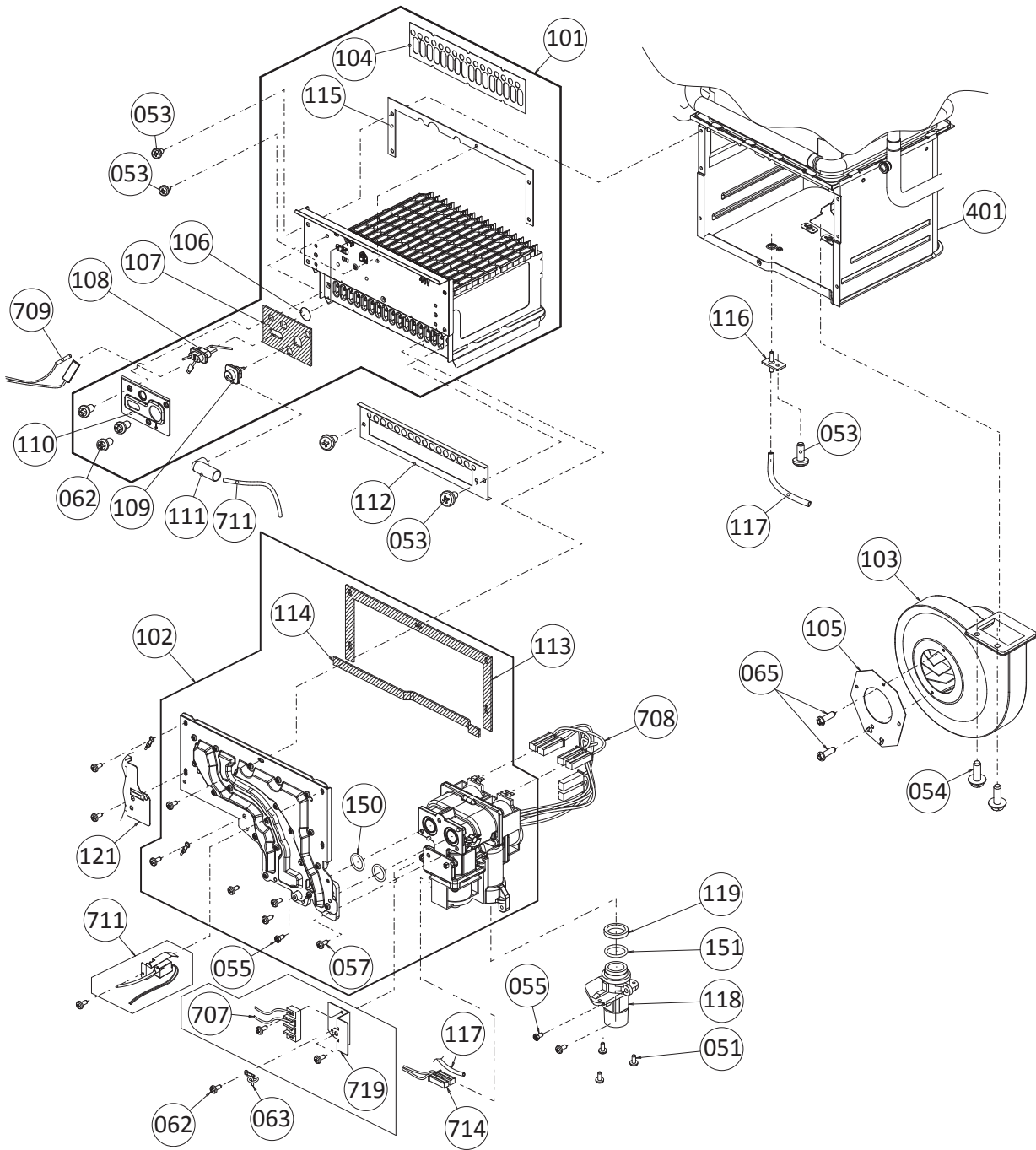
Computer board assembly



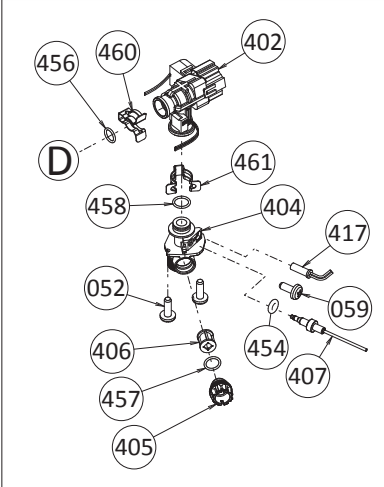
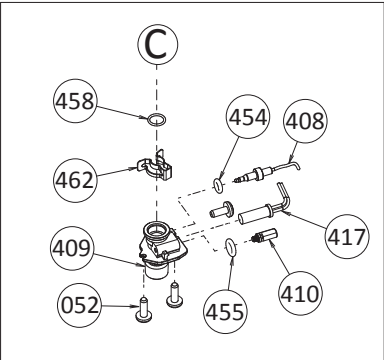
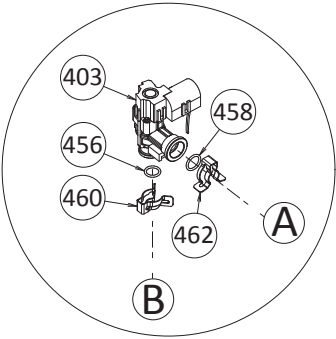
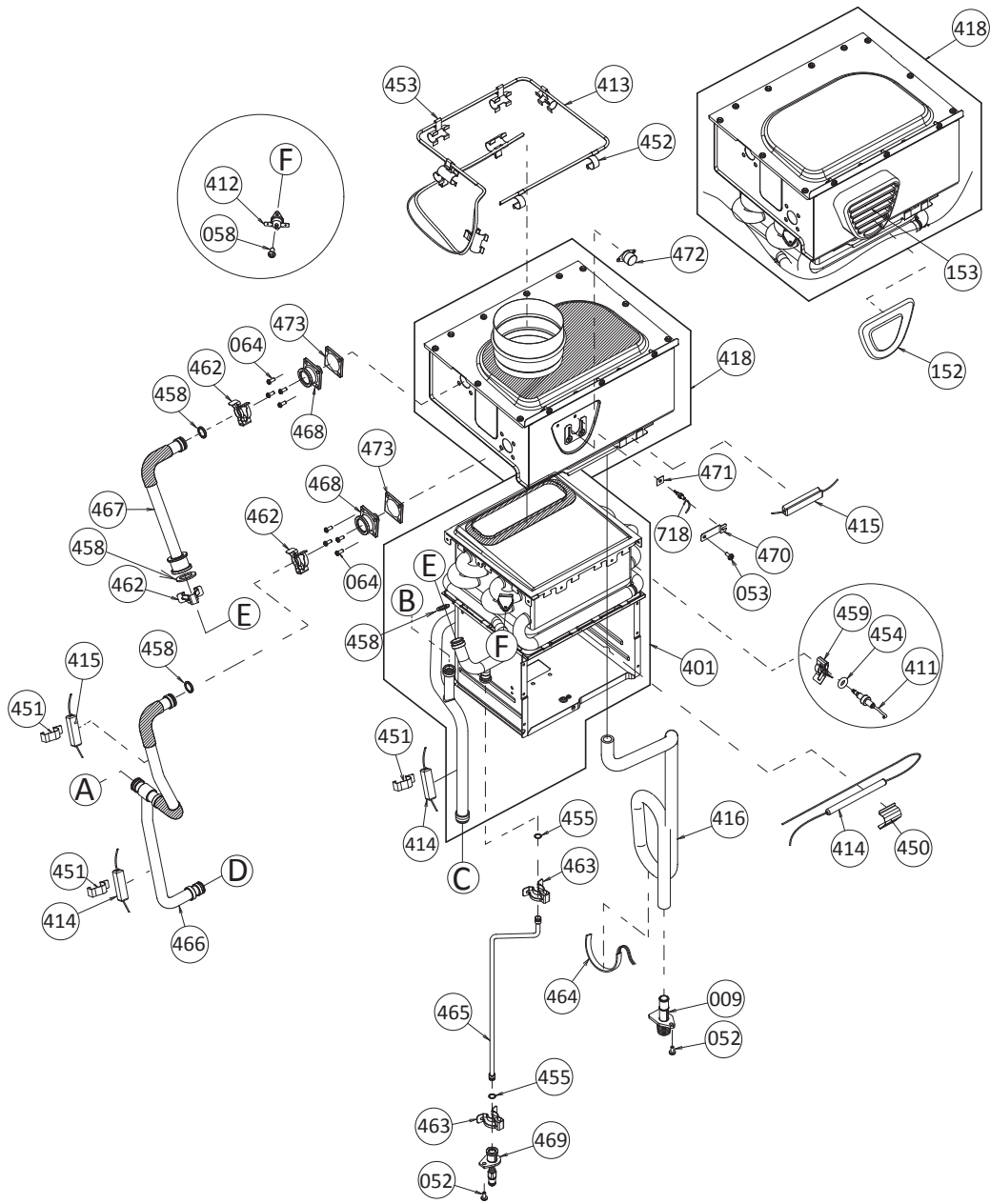
Surge box assembly



Burner assembly



Water Way assembly



Item	Parts Description	Part Number
001	Case assembly	N/A
002	Front cover	100074665
003	Intake air port assembly	100074667
004	Bracket	N/A
005	Junction box	100074668
006	Power supply cord assembly	100074669
007	Back guard panel	N/A
008	Chamber fixing plate	N/A
009	Condensate drain port	100074203
050	Truss screw M4×12 (W/Washer) SUS410	100074210
051	Truss screw M4×10 (W/Washer)	100074509
052	Truss screw M4×10 (Coated) SUS3	100074211
053	Truss screw M4x10 SUS	100074245
054	Hex head screw M4×12 (W/Washer) SUS3	100074510
055	Hex head screw M4x8 FEZN	100074248
056	Pan screw M4x20	N/A
057	Tap tight screw M4x12 FEZN	100074385
058	Pan head screw M3x6 SUS3	100074272
059	Truss head screw M4x6 SUS3	100074512
060	Tap tight screw M4x12	100076269
061	Screw M3x6 Plus bind FEZN	N/A
062	Pan screw M4x8 MFZN	100074526
063	Wire clamp 60	100074233
064	Screw M4x10	N/A
065	Screw M3x6 SUS3	100074514
101	Burner assembly	100074670
102	Manifold with gas valve assembly LP	100074671
102	Manifold with gas valve assembly NA	100074672
103	Fan motor	100074606
104	Burner gasket	100074216
105	Fan damper	100074466
106	Burner window	100074218
107	Rod holder gasket	100074219
108	Flame rod	100074673
109	Igniter rod	100074222
110	Rod holder	100074221
111	Rod cap	100074223
112	Burner damper LP	100074674
112	Burner damper NA	100074675
113	Manifold gasket A	100074229
114	Manifold gasket B	100074230
115	Burner holder gasket	100074217
116	Pressure port	100074227
117	Combustion chamber tube	100074528
118	Gas inlet	100074616
119	Gas inlet ring	100074526

SEE WARRANTY FOR REPLACEMENT CONTACT INFORMATION

Item	Parts Description	Part Number
121.....	Surge box plate	N/A
150.....	O-ring P18 NBR (Black)	100074533
151.....	O-ring P20 NBR (Black)	100074242
401.....	Primary heat exchanger assembly	100074699
402.....	Flow adjustment valve / Flow sensor.....	100074624
403.....	Bypass valve	100074625
404.....	Water inlet	100074377
405.....	Inlet drain plug	100074381
406.....	Inlet water filter	100074382
407.....	Inlet thermistor.....	100074626
408.....	Outlet thermistor	100074374
409.....	Water outlet	100074681
410.....	Outlet drain plug	100074383
411.....	Heat exchanger thermistor	100074281
412.....	Hi-Limit switch	100074280
413.....	Overheat-cut-off fuse	100074334
414.....	Pipe heater	100074682
415.....	Inlet heater.....	100074683
416.....	Drain tube	100074685
417.....	Inlet heater.....	100074629
418.....	Secondary heat exchanger.....	100074700
450.....	Pipe heater fixing plate	100074703
451.....	Heater fixing plate 16.....	100074310
452.....	Fuse fixing plate 18	100074251
453.....	Fuse fixing plate 14	100074331
454.....	O-ring P4 FKM.....	100076303
455.....	O-ring P6 FKM.....	100076305
456.....	O-ring P14 FKM.....	100076306
457.....	O-ring P15 FKM.....	100076307
458.....	O-ring P16 FKM.....	100076308
459.....	Fastener "4-11"	100074282
460.....	Fastener "14-22"	100074290
461.....	Fastener "16A".....	100074410
462.....	Fastener "16-25A"	100074389
463.....	Fastener "6-15"	100074297
464.....	Flat heater	100074686
465.....	Drain tube	100074687
466.....	Cold pipe	100074689
467.....	Stainless heat exchanger out pipe	100074690
468.....	Header connection	100074691
469.....	Drain port.....	100074692
470.....	Thermistor fixing plate	100074291
471.....	Exhaust thermistor gasket.....	100074296
472.....	Hi-limit switch for exhaust.....	100074289
473.....	Gasket	100074693

SEE WARRANTY FOR REPLACEMENT CONTACT INFORMATION

Item	Parts Description	Part Number
701.....	Computer board.....	100074696
702.....	Rubber grommet.....	100076470
703.....	Surge box.....	100076100
704.....	120 VAC wire.....	100074601
706.....	120 VAC Power ON-OFF switch.....	100074326
707.....	Remote controller wire.....	100074650
708.....	Gas valve wire.....	100074651
709.....	Flame rod wire.....	100074652
711.....	Igniter assembly.....	100074640
713.....	Switch wire with thermostat.....	100074655
714.....	Proportional gas valve wire.....	100074657
715.....	24V cables.....	100074658
716.....	Computer board cover.....	100074375
717.....	Cable clamp.....	N/A
718.....	Exhaust thermistor.....	100074316
719.....	Remote fixing plate.....	100074644
721.....	Exhaust Hi-limit switch wire.....	100074659
722.....	Temperature controller.....	100287658
723.....	Fixing plate.....	100074661
724.....	Temperature remote controller.....	100112572

SEE WARRANTY FOR REPLACEMENT CONTACT INFORMATION

