

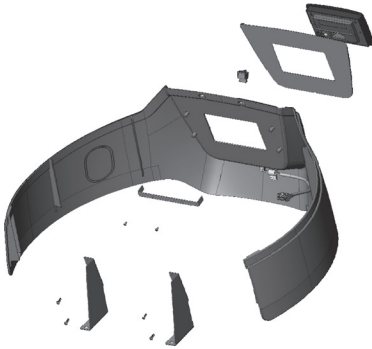


State Water Heater Parts Fulfillment
 125 Southeast Parkway • Franklin, TN 37068
 www.statewaterheaters.com • 1-800-433-2545

COMMERCIAL GAS SERVICE PARTS LIST

MODELS:
 SUF 60120(A)
 SUF 100150(A)
 SUF 100199(A)
 SUF 100250(A)
Series:
 300/301

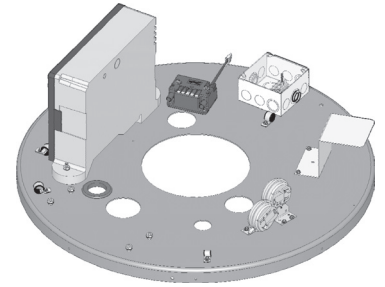
DISPLAY CONTROL ASSEMBLY
 See Page 2



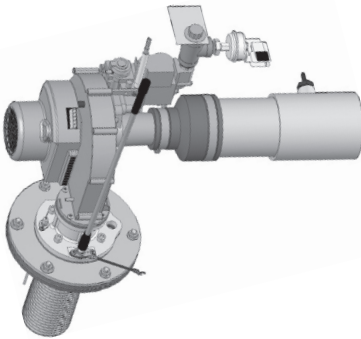
SUF 60120(A) thru SUF 100250(A)
 See Page 2



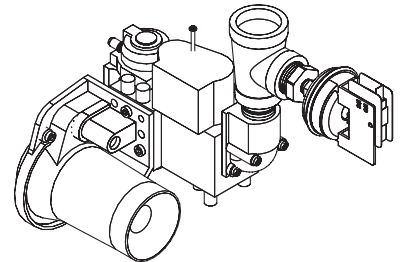
INNER COVER CONTROL ASSEMBLY
 See Page 3



BLOWER/BURNER ASSEMBLY
 See Page 4

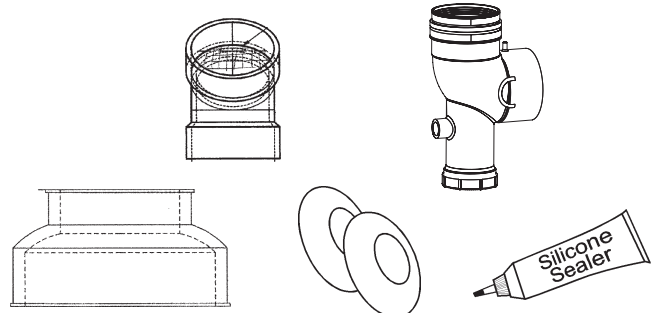
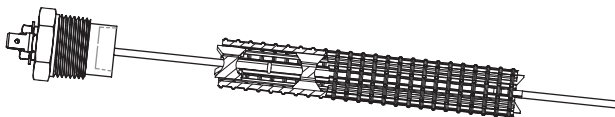


GAS VALVE(S)
 See Page 4



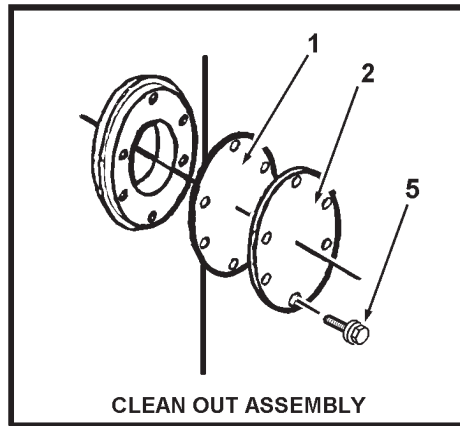
EXHAUST ELBOW ASSEMBLY - VENT KIT ASSEMBLY
 See Page 5 & 6

POWERED ANODE
 See Page 3



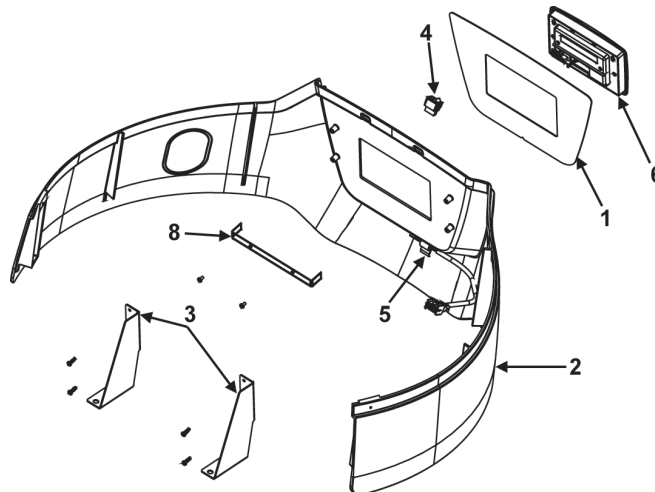
CLEANOUT ASSEMBLY / TEMPERATURE & PRESSURE VALVE

Item	Description	SUF 60120(A)	SUF 100150(A)	SUF 100199(A)	SUF 100250(A)
		300/301	300/301	300/301	300/301
1	Cleanout Gasket	9004099215	9004099215	9004099215	9004099215
2	Cleanout Plate	9005797205	9005797205	9005797205	9005797205
3	T & P Valve	9005899205	9005903205	9005903205	9005903205
4	Lower Temperature Probe	100271886	100271886	100271886	100271886
5	Thread Forming Screws	9004100215	9004100215	9004100215	9004100215
6	Drain Valve	9009085015	9009085015	9009085015	9009085015



DISPLAY CONTROL ASSEMBLY

Item	Description	SUF 60120(A)	SUF 100150(A)	SUF 100199(A)	SUF 100250(A)
		300/301	300/301	300/301	300/301
1	Display Overlay	334316-001	334316-001	334316-001	334316-001
2	Display Band	334067-000	334067-000	334067-000	334067-000
3	Display Band Mount	9006271015	9006271015	9006271015	9006271015
4	Enable/Disable Switch	193243-001	193243-001	193243-001	193243-001
5	Switch Wire Connection	328918-000	328918-000	328918-000	328918-000
6	User Interface Module - UIM	100271881	100271881	100271881	100271881
7	UIM COMM Cable (not shown)	334445-000	334445-000	334445-000	334445-000
8	Bracket, UIM Mounting	334317-000	334317-000	334317-000	334317-000

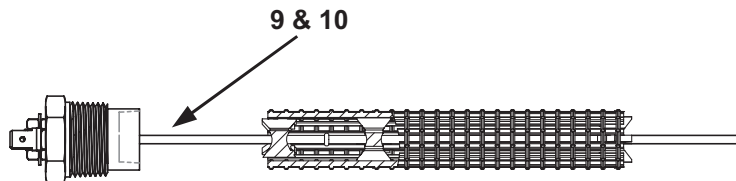
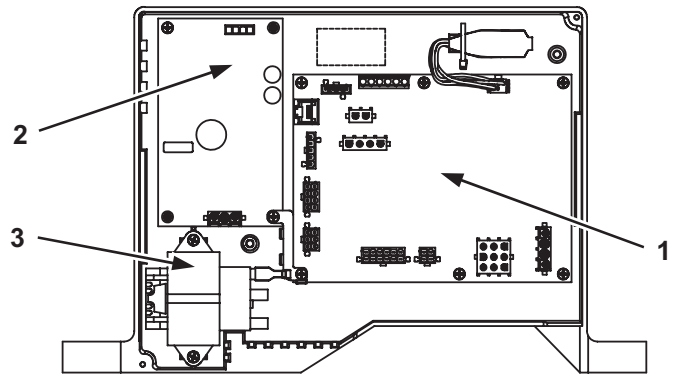
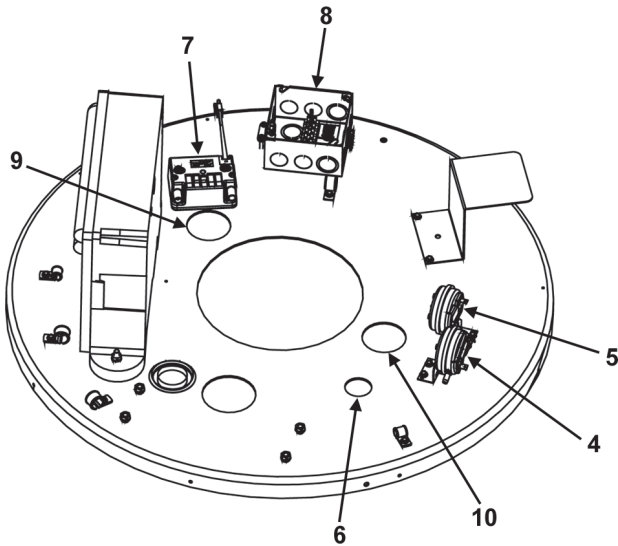


INNER COVER CONTROL ASSEMBLY - MODELS SUF 60120(A) & 100150(A)

Item	Description	SUF 60120(A) 300/301	SUF 100150(A) 300/301
1.....	CCB Board-Programmed	9008907015.....	9008907015
2.....	Power Supply Board	9008872005.....	9008872005
3.....	Transformer	9008874005.....	9008874005
4.....	Switch-Blocked Outlet.....	9008905015.....	9008905015
5.....	Switch-Blocked Inlet	9008860015.....	9008860015
6.....	Upper Temperature Probe.....	100271885.....	100271885
7.....	Spark Ignition Transformer	100271921.....	100271921
8.....	Junction Box Assembly.....	325118-003	325118-003
9.....	Powered Anode-Short.....	N/A.....	9006247005
10.....	Powered Anode-Long	9006559005.....	9006246005

INNER COVER CONTROL ASSEMBLY - MODELS SUF 100199(A) & 100250(A)

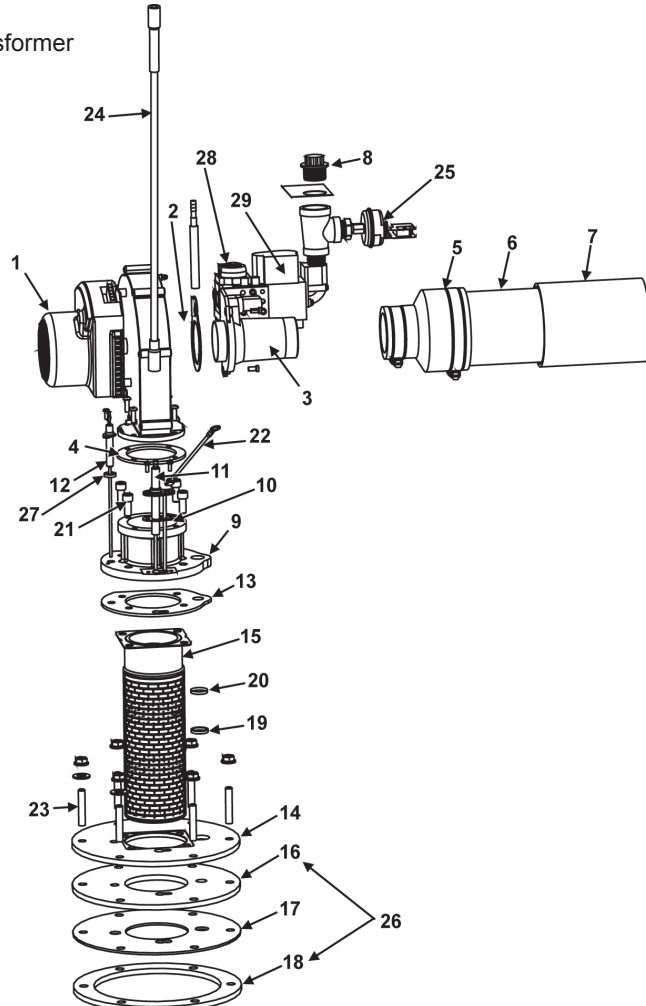
Item	Description	SUF 100199(A) 300/301	SUF 100250(A) 300/301
1.....	CCB Board-Programmed	9008907015	9008907015
2.....	Power Supply Board	9008872005	9008872005
3.....	Transformer	9008874005	9008874005
4.....	Switch-Blocked Outlet.....	9008905015	9008905015
5.....	Switch-Blocked Inlet	9008860015	9008860015
6.....	Upper Temperature Probe.....	100271885	100271885
7.....	Spark Ignition Transformer	100271921	100271921
8.....	Junction Box Assembly.....	325118-003.....	325118-003
9.....	Powered Anode-Short.....	9006247005.....	9006247005
10.....	Powered Anode-Long	9006246005.....	9006246005



BLOWER / BURNER ASSEMBLY - MODELS SUF 60120(A) - 100250(A)

Item	Description	SUF 60120(A) 300	SUF 60120(A) 301	SUF 100150-250(A) 300	SUF 100150-250(A) 301
1	Blower	100271839	100271839	100271923	100271923
2	Gasket - Cork/Venturie	**	**	**	**
3	Gas Valve/Venturie Assembly	9008918005	9008919005	9008920005	9008921005
4	Gasket	9007139005	9007139005	9007139005	9007139005
5	Connector - Intake	197604-000	197604-000	197604-000	197604-000
6	Intake Tube	194923-005	194923-005	194923-005	194923-005
7	Intake Terminal ASM	197624-000	197624-000	197624-000	197624-000
8	Cap Plug	182134-003	182134-002	182134-003	182134-002
9	Blower Adapter	320718-000	320718-000	320718-000	320718-000
10	Gasket - Spark Rod	321751-000	321751-000	321751-000	321751-000
11	Rod - Spark	100271888	100271888	100271888	100271888
12	Flame Sensor Rod	9008868015	9008868015	9008868015	9008868015
13	Gasket - Burner	9008913015	9008913015	9008913015	9008913015
14	Burner Plate	324306-000	324306-000	328331-000	328331-000
15	Burner Assembly	9008911005	9008911005	9008912005	9008912005
16	Gasket - Insulation	N/A	N/A	9008917015	9008917015
17	Shield - Heat	N/A	N/A	9008916015	9008916015
18	Gasket	9007138005	9007138005	9008915015	9008915015
19	Gasket - Viewport	9006103215	9006103215	9006103215	9006103215
20	Window - Observation	9006102215	9006102215	9006102215	9006102215
21	Screw - Socket Head Cap	192515-001	192515-001	192515-001	192515-001
22	Jumper - Spark Ground	328246-000	328246-000	328246-000	328246-000
23	Stud 5/16-18 x 1 3/4"	196881-001	196881-001	196881-001	196881-001
24	Cable - Ignition***	100271890	100271890	100271890	100271890
25	Low Gas Pressure Switch	100271883	9006255015	100271883	9006255015
26	Burner Plate Gaskets****	N/A	N/A	9009026005	9009026005
27	Flame Rod Gasket	318532-000	318532-000	318532-000	318532-000
28	Low Gas Fitting	N/A	N/A	333999-000	N/A
29	Rectifier Plug Assembly	197750-000	197750-000	197750-000	197750-000

** Supplied with Gas Valve/Venturi Assembly.
 *** Supplied with Spark Rod and Spark Ignition Transformer
 **** Combines Kits 16 & 18



3" EXHAUST CONNECTOR AND VENT KIT ASSEMBLIES - MODELS SUF 60120(A) - 100250(A)

SUF 60120(A) - 100250(A)
300 /301

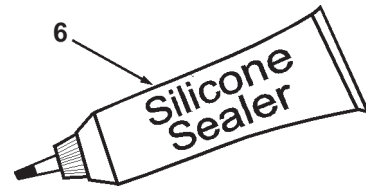
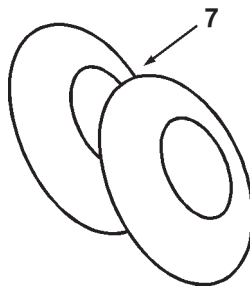
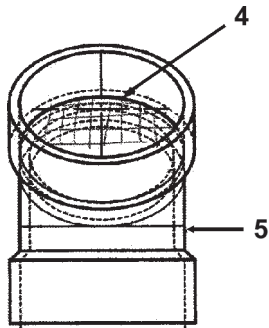
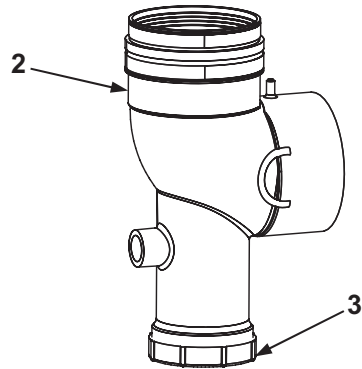
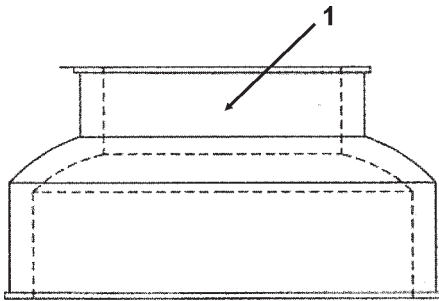
Item Description

EXHAUST ELBOW AND FITTINGS

- 1 Exhaust Connector (2.50" x 4.00").....9006157205
- 2 Exhaust/Condensate Elbow Assembly.....9008908005
- 3 Condensate Trap Gasket.....328019-000

VENT KIT PARTS

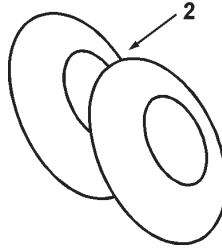
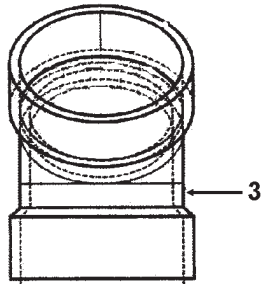
- 4 Intake/Exhaust Screen.....9006027015
- 5 PVC 45 Degree Elbow w/Screen (PVC).....9001957005
- 5 PVC 45 Degree Elbow (Canada, ULC S636)197868-000
- 6 Silicone9004365105
- 7 Wall Plate.....9004364105



OPTIONAL VENT KIT ASSEMBLY FOR 4" VENTING #9006205205 (U.S.), #9006339005 (CANADA)

SUF 60120(A) thru 100250(A)
300 / 301

Item	Description
1 Silicone.....
2 Wall Plate
3 Vent Terminal Assembly 4".....



NOTES:

A large, empty rectangular box with a thin black border, intended for taking notes.



State Water Heater Parts Fulfillment
125 Southeast Parkway
Franklin, TN 37068
1-800-433-2545
www.statewaterheaters.com